



Model number

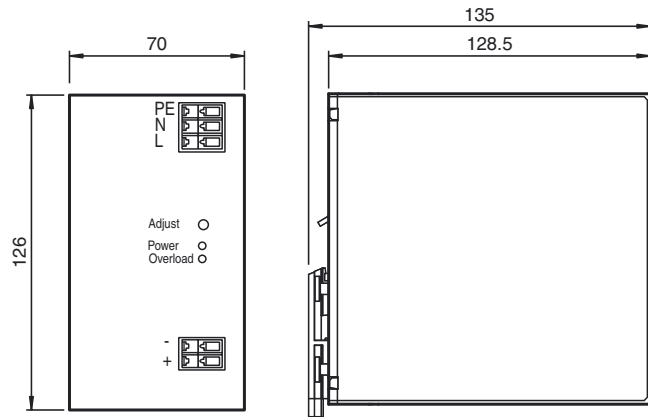
K17-STR-24..30VDC-5A

Power supply, 24 to 30 V DC, 5 A

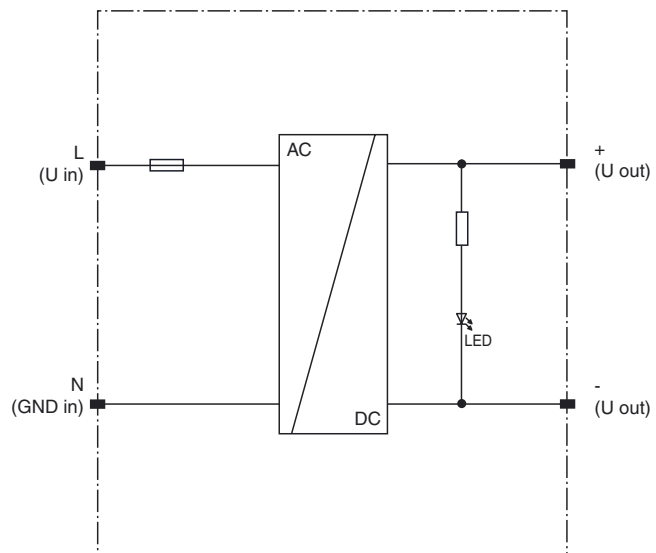
Features

- 5 A output load
- Wide range input 95...265 V_{AC}
- 24 V DC output voltage
- Sustained short-circuit proof, over-load-proof and open-circuit proof
- LED operating display
- LED output overload indicator
- SELV
- Suitable for AS-Interface power supply in gateway-integrated data decoupling

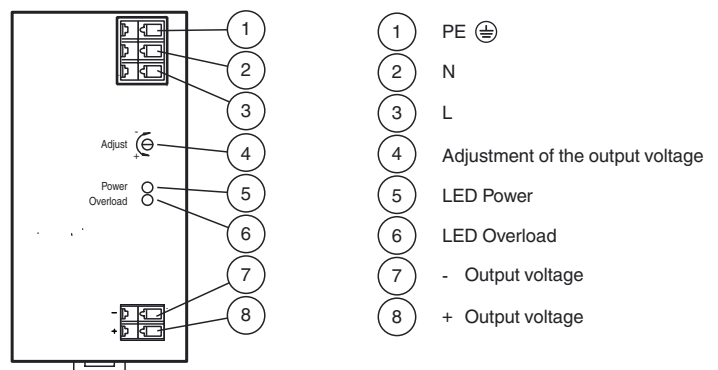
Dimensions



Electrical connection



Indicating / Operating means



Release date: 2015-01-29 16:39 Date of issue: 2015-02-06 195761_Leng.xml

Technical data**General specifications**

UL File Number	E223176
----------------	---------

Functional safety related parameters

MTTF _d	40 a
Mission Time (T _M)	10 a
Diagnostic Coverage (DC)	0 %

Indicators/operating means

LED Overload	Red LED lights up for overload, flashes for hiccup mode
LED PWR	LED green
Potentiometer	Output voltage adjustment

Electrical specifications

Fusing	3.15 AT
Capacity factor	approx. 0.5 (Depending on input voltage)
Rated operating voltage	U _e 115/230 V _{AC} Wide range: 90 ... 265 V _{AC}
Rated operating current	I _e 2.2 A (115 V) 1.2 A (230 V)
Supply frequency	47 ... 63 Hz
Efficiency	approx. 89 %

Output

Current limit	approx. 5.6 A
Current	0 ... 5 A
Voltage	30 V ± 1 % Adjustment range 23 ... 30 V AC

Ambient conditions

Ambient temperature	-10 ... 70 °C (14 ... 158 °F) with free convection
Storage temperature	-25 ... 85 °C (-13 ... 185 °F)

Mechanical specifications

Degree of protection	IP20
Protection class	I, Protective conductor connection necessary
Connection	Connection terminals, max. conductor cross-section 0.5 to 2.5 mm ² Stripping length 5 to 6 mm
Mass	approx. 900 g
Mounting	DIN mounting rail

Compliance with standards and directives

Directive conformity	
EMC Directive 2004/108/EC and Directive 2000/95/EC	EN 55011:2009 + A1:2010, EN 61000-6-1:2007, EN 61000-6-2:2005, EN 61000-6-3:2007 + A1:2011, EN 61000-6-4:2007 + A1:2011, EN 61000-3-2:2006 + A1:2009 + A2:2009, EN 61000-3-3:2008 EN 60950-1:2006 + A12:2011
Standard conformity	
Electromagnetic compatibility	EN 55011, EN 61000-6-1, EN 61000-6-2
Degree of protection	EN 60529
Standards	Harmonic waves: EN 61000-3-2 Class A Radio interference suppression: EN 55011 class A and B

Notes**Mounting**

In order to ensure proper heat dissipation the power supply has to be mounted vertically in such a way, that the input terminals (L/N/PE) are located at the upper side and the output terminals (+/-) at the lower side of the front panel.

A minimum clearance of 100 mm beneath and above and 30 mm to the right and left of the power supply must be provided.

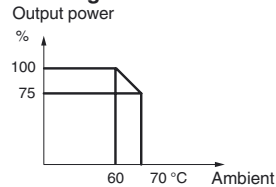
The inlet air temperature beneath the unit must not exceed the values specified in this instruction.

Function

The slim-line power pack provides a direct voltage in an even larger adjustable output voltage range of 23 ... 30 V DC, while optimizing the space available in the control cabinet.

In addition to an LED showing the operational status (power), a red LED (overload) signals overloads on the output side.

The device features a convenient DIN rail fastening.

Derating**Current limitation characteristic**