



Model number

VAA-4A-70MM

AS-Interface module for stack light

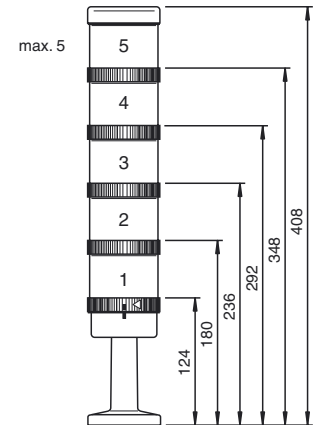
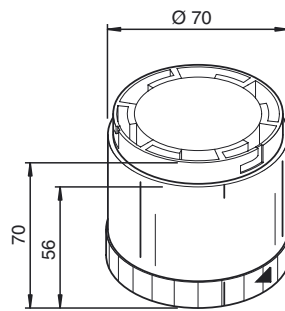
Features

- Bayonet system for simple mounting and dismounting
- Degree of protection IP65
- Addressing jack
- Outputs short-circuit and overload proof
- No external power supply required
- Function display for bus, external auxiliary voltage and outputs
- Integrated communication monitoring function
- Modular system

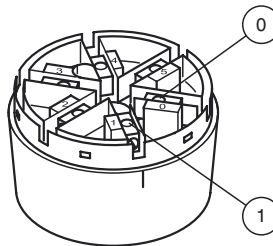
Function

The signal column module VAA-4A-70MM is an AS-Interface module with 4 virtually wear-proof semiconductor relay outputs which can trigger up to 4 stages of a signal column. The connection of the external auxiliary voltage and the AS-Interface takes place via screw terminals in the corresponding connection element which is easily fitted to the module via a bayonet system. The supply of the connected outputs can take place either from the internal power supply of the module (from AS-Interface) or via an external power source. Switching takes place via a sliding switch inside the element. The selection of the external power supply is indicated via an LED (AUX). The outputs are protected against reversal, overload and short circuit. An LED to indicate the AS-Interface voltage is available, another indicates errors in the AS-Interface communication. For parameterization there is an addressing jack in the element protected against external interference.

Dimensions

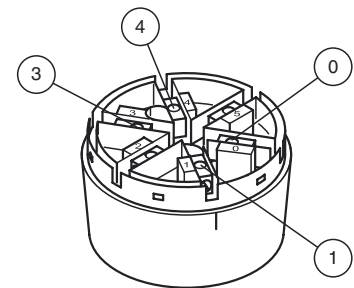


Electrical connection



Supply from AS-Interface

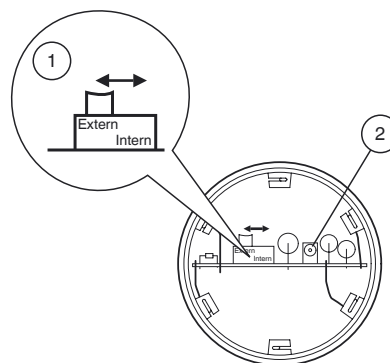
- 0 - AS-Interface
- 1 + AS-Interface



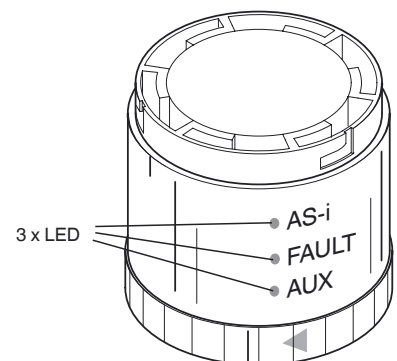
Supply from U_{AUX}

- 0 - AS-Interface
- 1 + AS-Interface
- 3 - U_{AUX}
- 4 + U_{AUX}

Indicating / Operating means



- 1 Switch
- 2 Addressing socket



Release date: 2015-02-27 11:45 Date of issue: 2015-02-27 196232_eng.xml

Technical data**General specifications**

Slave type	Standard slave
AS-Interface specification	V3.0
Required master specification	≥ V2.0
UL File Number	E223176

Functional safety related parameters

MTTF _d	300 a
-------------------	-------

Indicators/operating means

LED FAULT	communication error / address is 0; LED red
LED AS-i	AS-Interface voltage; LED green
LED AUX	ext. auxiliary voltage U _{AUX} ; LED green

Electrical specifications

Auxiliary voltage (output)	U _{AUX}	20 ... 30 V DC PELV
Rated operating voltage	U _e	26.5 ... 31.6 V from AS-Interface
Rated operating current	I _e	≤ 210 mA

Output

Number/Type	4 semiconductor relay outputs
Supply	from AS-Interface or from external auxiliary voltage as required U _{AUX}
Current	AS-interface: ≤ 200 mA for the stack light U _{AUX} : ≤ 300 mA per light element
Voltage	21 ... 31 V

Programming instructions

Profile	S-8.F
IO code	8
ID code	F

Data bits (function via AS-Interface)	input	output
D0	-	OUT1
D1	-	OUT2
D2	-	OUT3
D3	-	OUT4

Parameter bits (programmable via AS-i) function

P0	Communication monitoring P0 = 0 monitoring = off, the outputs maintain the status if communication fails P0 = 1 monitoring = on, i.e. if communication fails, the outputs are deenergised (basic setting)
P1	not used
P2	not used
P3	not used

Ambient conditions

Ambient temperature	-20 ... 50 °C (-4 ... 122 °F)
---------------------	-------------------------------

Mechanical specifications

Degree of protection	IP65
Connection	Bayonet system

Accessories**VAZ-MH 100-70MM**

Stack light assembly mounting, straight

VAZ-CLAMP-70MM

Stack light terminal base with cover plate

VAZ-MH 90°-70MM

Stack light assembly mounting, angled

VAZ-CLAMP-70MM-90°

Stack light terminal base with cover plate

VAZ-LED-70MM-YE

Stack light LED permanent light element, yellow

VAZ-LED-70MM-RD

Stack light LED solid light element, red

VAZ-LED-70MM-GN

Stack light LED solid light element, green

VAZ-LED-70MM-CL

Stack light LED permanent light element, clear

VAZ-LED-70MM-BU

Stack light LED permanent light element, blue

VAZ-LAMP-70MM-CL

Stack light solid light element, clear

VAZ-LAMP-70MM-YE

Stack light solid light element, yellow

VAZ-LAMP-70MM-GN

Stack light permanent light element, green

VAZ-LAMP-70MM-RD

Stack light solid light element, red

VAZ-LAMP-70MM-BU

Stack light solid light element, blue