

CE

#### Model Number

**TopScan-S Gasket IP54**

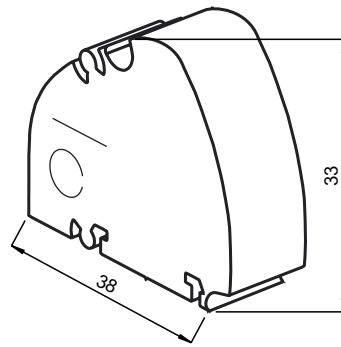
Housing seal TopScan-S

#### Features

- Polyurethane foam seal for increase to degree of protection IP54
- Simple insertion into the TopScan-S profile section behind the cap

for increasing degree of protection IP52 to degree of protection IP54

#### Dimensions



#### Technical data

##### Ambient conditions

Ambient temperature -10 ... 50 °C (263 ... 323 K)

##### Mechanical specifications

Material polyurethane foam

Mass approx. 0.4 g

##### General information

Packing unit 10

##### Suitable series

Series TOPSCAN-S