

### Model Number

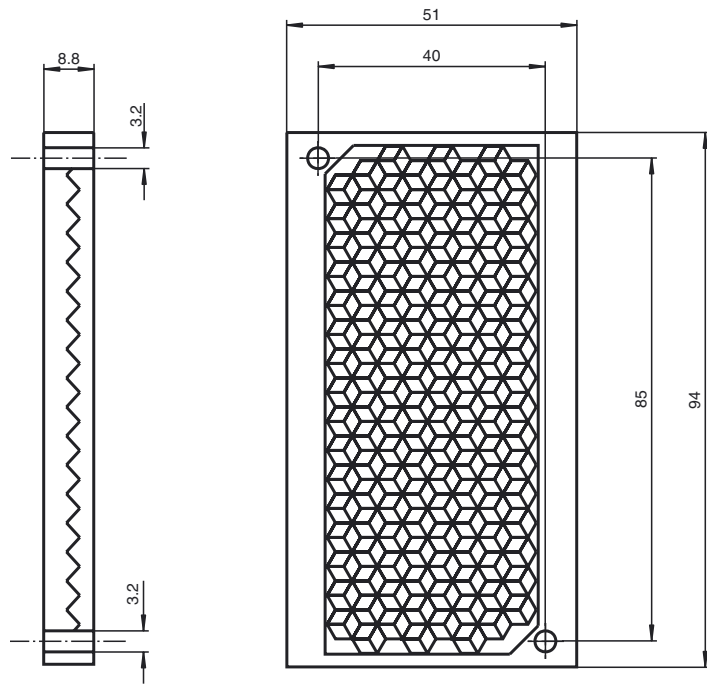
#### REF-H85HT

Reflector, rectangular 51 mm x 94 mm, mounting holes, high temperature resistant up to 500 °C

### Features

- Specially resistant to scratching and knocks
- High temperature rated to 500 °C

### Dimensions



### Technical data

#### General specifications

Construction type	rectangular
-------------------	-------------

#### Ambient conditions

Ambient temperature	-50 ... 500 °C (-58 ... 932 °F)
---------------------	---------------------------------

#### Mechanical specifications

Material	Borosilicate glass
Dimensions	51 mm x 94 mm
Mounting	mounting holes