



Model Number

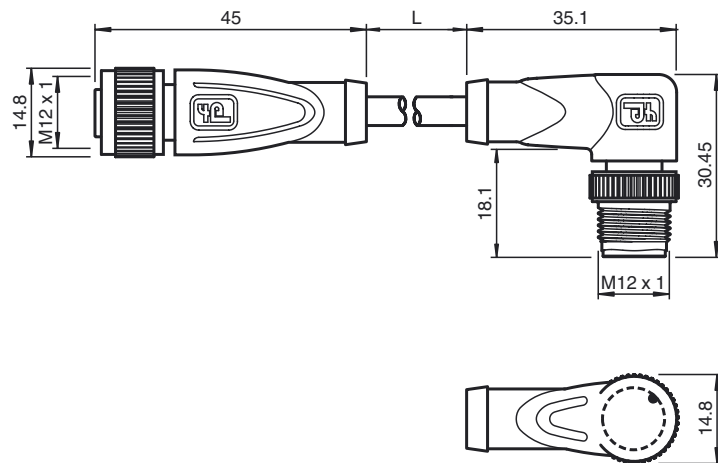
V1-G-50M-PUR-ABG-V1-W

Connecting cable, M12 to M12, PUR cable 4-pin, shielded

Features

- Knurled nut suitable for tool assembly
- Immunity to vibration, with mechanical latching
- Shield attached to coupling nut
- Gold-plated and machined contacts
- Protection degree IP67 / IP68 / IP69K
- Halogen-free

Dimensions



Technical data

General specifications

| | |
|---------------------|----------------|
| Number of pins | 4 + shield |
| Connection 1 | socket |
| Construction type 1 | straight |
| Threading 1 | M12 |
| Connection 2 | Male connector |
| Construction type 2 | right angle |
| Threading 2 | M12 |

Electrical specifications

| | | |
|-------------------|-------|------------------|
| Operating voltage | U_B | max. 250 V AC/DC |
| Operating current | | max. 4 A |
| Volume resistance | | < 5 m Ω |

Ambient conditions

| | |
|---------------------|--|
| Ambient temperature | -40 ... 90 °C (-40 ... 194 °F) cable, flexing: -25 ... 80 °C (-13 ... 176 °F) cable, fixed: -25 ... 80 °C (-13 ... 176 °F) |
| Pollution Degree | 3 |

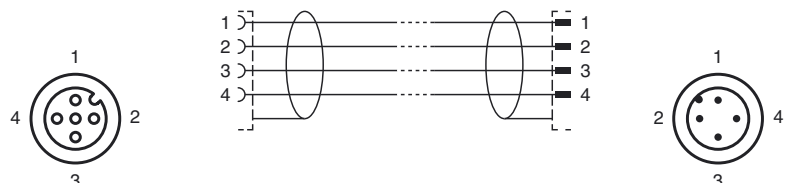
Mechanical specifications

| | |
|------------------------|--|
| Contact elements | spring-loaded contact socket |
| Pin diameter | 1 mm |
| Protection degree | IP67 / IP68 / IP69k |
| Material | |
| Contacts | CuSn / Au |
| Contact surface | Au |
| Body | TPU, black |
| Cable | PUR |
| Slotted nut | Diecast zinc |
| Sleeve connector | Diecast zinc |
| Core insulation | PP |
| Cable | fine-strand, flexible |
| Sheath diameter | \varnothing 4.8 mm |
| Bending radius | > 10 x cable diameter, moving 5 x cable diameter, single bend |
| Color | grey |
| Cores | 4 x 0.34 mm ² |
| Conductor construction | 19 x 0.15 mm \varnothing |
| Shield | grid covering 85 % |
| Length | L 50 m |
| Flammability | |
| Contact material | HB |
| Housing | V-2 |

Compliance with standards and directives

Standard conformity

Electrical connection





| | |
|-------------------|----------------------|
| Protection degree | EN 60529:2000 |
| Standards | IEC 61076-2-101:2008 |
| Flammability | Grip: UL 94 |

Release date: 2013-08-14 13:16 Date of issue: 2013-08-14 198716_eng.xml