

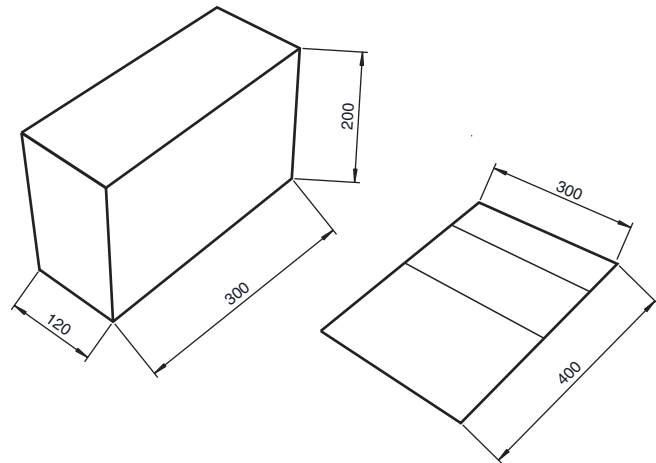
**Model Number**

**TopScan-S Test Kit**  
Adjustment accessories TopScan-S

**Features**

- Adjustment accessories series Top-Scan-S

**Dimensions**



**Technical data**

Mechanical specifications	
Material	cardboard
Mass	approx. 315 g
Suitable series	
Series	TopScan-S

Release date: 2013-09-20 16:19 Date of issue: 2013-09-20 199125\_eng.xml

Refer to "General Notes Relating to Pepperl+Fuchs Product Information".