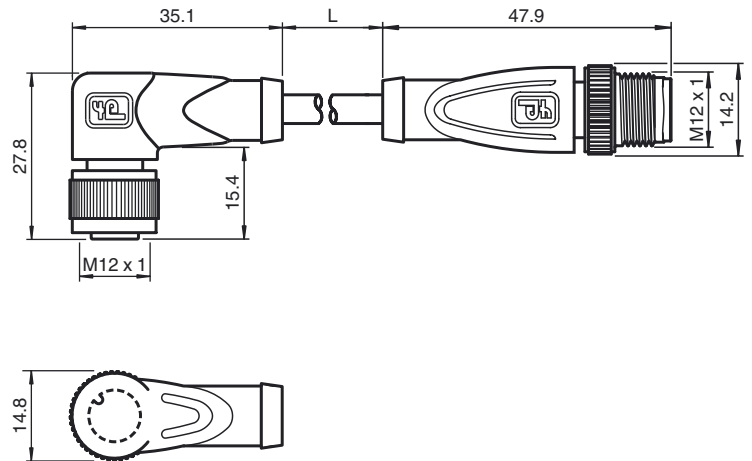




Dimensions



Model Number

V1-W-20M-PUR-H/S-V1-G

Connecting cable, M12, 4-pin, irradiated PUR cable

Features

- Knurled nut suitable for tool assembly
- Immunity to vibration, with mechanical latching
- Gold-plated and machined contacts
- Protection degree IP67 / IP68 / IP69K
- Halogen-free
- Flexible sheathing

Technical data

General specifications

| | |
|---------------------|----------------|
| Number of pins | 4 |
| Connection 1 | socket |
| Construction type 1 | right angle |
| Threading 1 | M12 |
| Connection 2 | Male connector |
| Construction type 2 | straight |
| Threading 2 | M12 |

Electrical specifications

| | | |
|--------------------|-------|--------------------------------|
| Operating voltage | U_B | max. 300 V DC max. 250 V AC |
| Operating current | | max. 4 A |
| Contact resistance | | < 10 mΩ |

Ambient conditions

| | |
|---------------------|---|
| Ambient temperature | 40 ... 90 °C (104 ... 194 °F) cable, fixed: -50 ... 105 °C (-58 ... 221 °F) cable, flexing: -40 ... 105 °C (-40 ... 221 °F) |
| Pollution Degree | 3 |

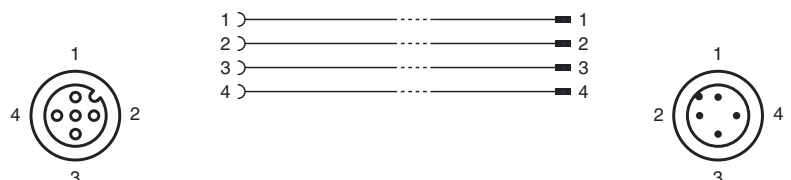
Mechanical specifications

| | |
|------------------------|--|
| Contact elements | spring-loaded contact socket |
| Pin diameter | 1 mm |
| Protection degree | IP67 / IP68 / IP69K |
| Material | |
| Contacts | CuSn / Au |
| Contact surface | Au |
| Body | TPU, black |
| Cable | PUR, irradiated |
| Slotted nut | Diecast zinc |
| Sleeve connector | Diecast zinc |
| Core insulation | TPE-E |
| Cable | fine-strand, flexible |
| Sheath diameter | Ø 4.8 mm |
| Bending radius | > 10 x cable diameter, moving > 5 x cable diameter, single bend |
| Color | orange |
| Cores | 4 x 0.34 mm ² |
| Conductor construction | 19 x 0.15 mm Ø |
| Length | L 20 m |
| Flammability | |
| Contact material | 94 HB |
| Housing | 94 V-2 |

Compliance with standards and directives

| | |
|---------------------|--|
| Standard conformity | |
|---------------------|--|

Electrical connection



Release date: 2013-08-23 13:19 Date of issue: 2013-08-23 199585_eng.xml

Refer to "General Notes Relating to Pepperl+Fuchs Product Information".



| | |
|-------------------|----------------------|
| Protection degree | EN 60529:2000 |
| Standards | IEC 61076-2-101:2008 |
| Flammability | Grip: UL 94 |

Release date: 2013-06-23 13:19 Date of issue: 2013-06-23 199585_eng.xml