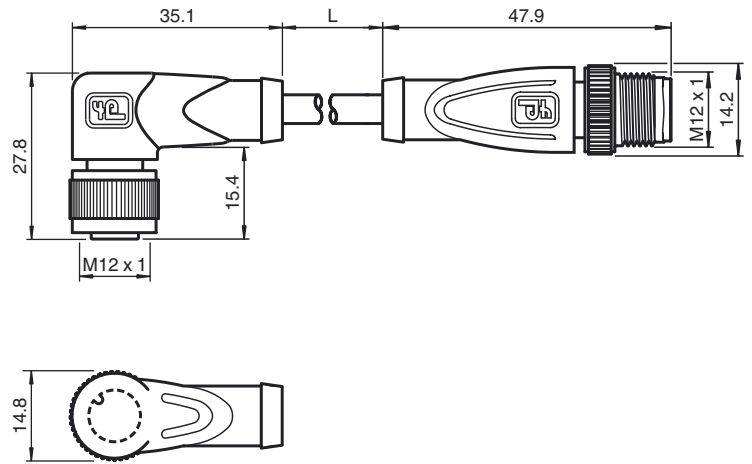


Dimensions



Model Number

V1-W-E8-1M-PUR-H/S-V1-G

Connection cable, M12 to M12 with LED, 4-pin, irradiated PUR cable

Features

- Built-in LED, as operating and function indicator
- Knurled nut suitable for tool assembly
- Immunity to vibration, with mechanical latching
- Gold-plated and machined contacts
- Protection degree IP67 / IP68 / IP69K
- Flexible sheathing
- Halogen-free

Technical data

General specifications

Number of pins	4
Connection 1	socket
Construction type 1	right angle
Threading 1	M12
Connection 2	Male connector
Construction type 2	straight
Threading 2	M12

Indicators/operating means

LED green	Operating display
LED yellow	Functional display NO contact 4
LED red	Functional display NO contact 2

Electrical specifications

Operating voltage	U_B	max. 24 V DC \pm 15%
Operating current		max. 4 A
Contact resistance		< 10 m Ω

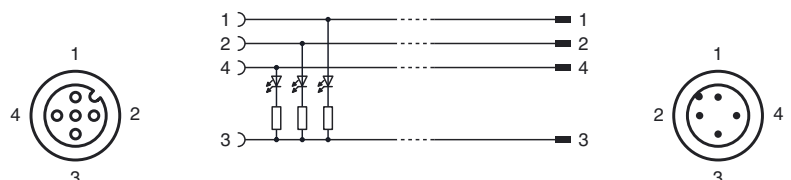
Ambient conditions

Ambient temperature	-20 ... 105 °C (-4 ... 221 °F) active
	-50 ... 105 °C (-58 ... 221 °F) static
Pollution Degree	3

Mechanical specifications

Contact elements	spring-loaded contact socket	
Pin diameter	1 mm	
Protection degree	IP67 / IP68 / IP69K	
Material		
Contacts	CuSn / Au	
Contact surface	Au	
Body	TPU, transparent/green	
Cable	PUR, irradiated	
Slotted nut	Diecast zinc	
Sleeve connector	Diecast zinc	
Core insulation	TPE	
Cable	fine-strand, flexible	
Sheath diameter	\varnothing 4.8 mm	
Bending radius	> 40 mm	
Color	orange	
Cores	4 x 0.34 mm ²	
Conductor construction	19 x 0.15 mm \varnothing	
Length	L	1 m
Flammability		
Contact material	94 HB	
Housing	94 V-2	

Electrical connection



Release date: 2013-12-23 10:16 Date of issue: 2013-12-23 199595_eng.xml



Compliance with standards and directives

Standard conformity	
Protection degree	EN 60529:2000
Standards	IEC 61076-2-101:2008

Release date: 2013-12-23 10:16 Date of issue: 2013-12-23 199595_eng.xml