



**Model Number**

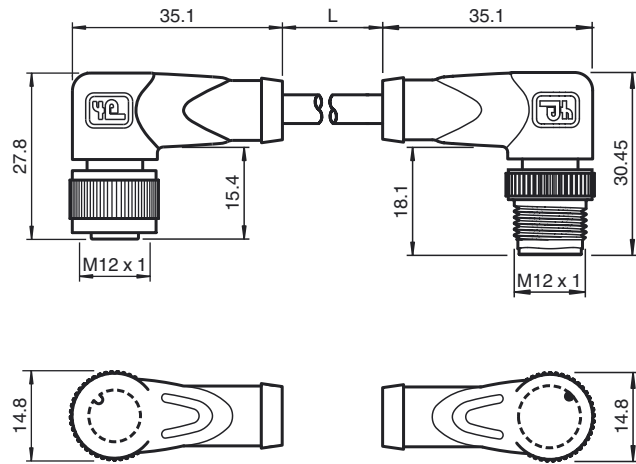
V1-W-0,6M-PUR-H/S-V1-W

Connecting cable, M12, 4-pin, irradiated PUR cable

**Features**

- Knurled nut suitable for tool assembly
- Immunity to vibration, with mechanical latching
- Gold-plated and machined contacts
- Protection degree IP67 / IP68 / IP69K
- Halogen-free
- Flexible sheathing

**Dimensions**



**Technical data**

**General specifications**

Number of pins	4
Connection 1	socket
Construction type 1	right angle
Threading 1	M12
Connection 2	Male connector
Construction type 2	right angle
Threading 2	M12

**Electrical specifications**

Operating voltage	$U_B$	max. 250 V AC/DC
Operating current		max. 4 A
Contact resistance		< 10 mΩ

**Ambient conditions**

Ambient temperature	-20 ... 105 °C (-4 ... 221 °F) active -50 ... 105 °C (-58 ... 221 °F) static
Pollution Degree	3

**Mechanical specifications**

Contact elements	spring-loaded contact socket
Pin diameter	1 mm
Protection degree	IP67 / IP68 / IP69k
Material	
Contacts	CuSn / Au
Contact surface	Au
Body	TPU, green
Cable	PUR, irradiated
Slotted nut	Diecast zinc
Sleeve connector	Diecast zinc
Core insulation	TPE
Cable	fine-strand, flexible
Sheath diameter	Ø4.8 mm
Bending radius	> 40 mm
Color	orange
Cores	4 x 0.34 mm <sup>2</sup>
Conductor construction	19 x 0.15 mm Ø
Length	L 0.6 m
Flammability	
Contact material	94 HB
Housing	94 V-2

**Compliance with standards and directives**

Standard conformity	
Protection degree	EN 60529:2000
Standards	IEC 61076-2-101:2008

**Electrical connection**



Release date: 2013-12-23 10:16 Date of issue: 2013-12-23 199601\_eng.xml