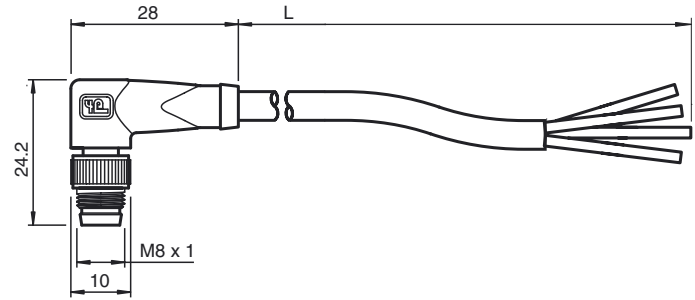




Dimensions



Model number

V31S-W-N4-1M-PUR

Cable socket, M8, 4-pin, NAMUR, PUR cable

Features

- Suitable for NAMUR technology
- Handle and sheathing blue
- Knurled nut suitable for tool assembly
- Immunity to vibration, with mechanical latching
- Gold plated contacts

Technical data

General specifications

Number of poles	4
Connection 1	Connector, male
Construction type 1	angled
Threading 1	M8
Connection 2	free cable end

Electrical specifications

Operating voltage	max. 60 V DC
Test voltage	> 1500 V _{eff} AC
Operating current	max. 4 A
Volume resistance	< 5 mΩ

Ambient conditions

Ambient temperature	-25 ... 100 °C (248 ... 373 K) for temperatures over 80 °C (353 K) reduced elongation at tear
Degree of soiling	3

Mechanical specifications

pin diameter	1 mm
Protection degree	IP67
Material	
Contacts	CuSn / Au
Contact surface	Au
Handle	TPU, blue
Cable	PUR
(Cap??-translator) connector	diecast zinc
Core isolation	PVC
Cable	
Sheath diameter	Ø4.8 mm
Bend radius	> 10 x conductor diameter, appropriate for conveyor chains
Colour	blue
Cores	4 x 0.34 mm ²
Conductor construction	19 x 0.15 mm Ø
Length	L 1 m
Flammability	
Contact material	94V-2
Housing	94V-2

Electrical connection 1

