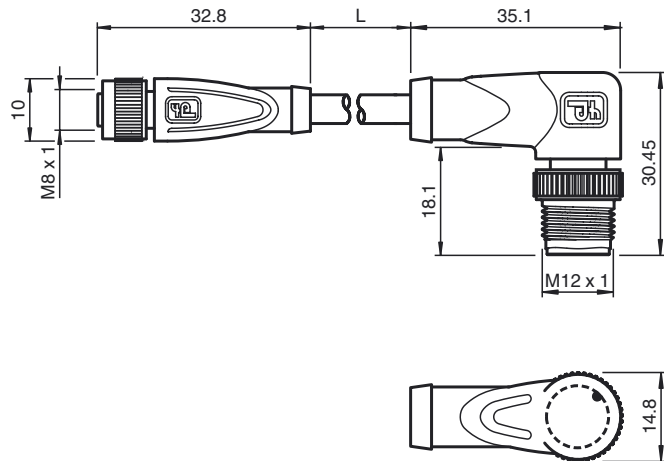




**Dimensions**



**Model Number**

**V31-GM-5M-PVC-V11-W**

Connecting cable, M8 to M12, PVC cable 3-pin

**Features**

- Knurled nut suitable for tool assembly
- Immunity to vibration, with mechanical latching
- Gold plated contacts

**Technical data**

**General specifications**

Number of pins	3
Connection 1	socket
Construction type 1	straight
Threading 1	M8
Connection 2	Male connector
Construction type 2	right angle
Threading 2	M12

**Electrical specifications**

Operating voltage	U <sub>B</sub>	max. 30 V AC/DC
Operating current		max. 3 A
Contact resistance		< 10 mΩ

**Ambient conditions**

Ambient temperature	Body: -40 ... 90 °C (-40 ... 194 °F) cable, fixed: -25 ... 70 °C (-13 ... 158 °F) cable, flexing: -5 ... 70 °C (23 ... 158 °F)
Pollution Degree	3

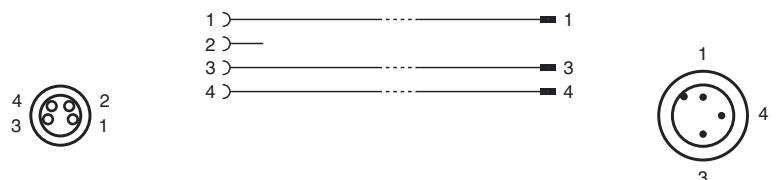
**Mechanical specifications**

Contact elements	spring-loaded contact socket
Pin diameter	1 mm
Degree of protection	IP67
<b>Material</b>	
Contacts	CuSn / Au
Contact surface	Au
Body	TPU, black
Cable	PVC
Slotted nut	Diecast zinc
Sleeve connector	Diecast zinc
Core insulation	PVC
Cable	fine-strand, flexible
Sheath diameter	Ø 4.3 mm
Bending radius	> 15 x cable diameter, induced > 10 x cable diameter, fixed
Color	grey
Cores	3 x 0.25 mm <sup>2</sup>
Conductor construction	14 x 0.15 mm Ø
Length	L 5 m
<b>Flammability</b>	
Contact material	94 HB
Housing	94 V-2

**Compliance with standards and directives**

Standard conformity	
Degree of protection	EN 60529:2000

**Electrical connection**



Release date: 2014-03-25 14:58 Date of issue: 2014-03-25 200186\_eng.xml



Flammability

Grip: UL 94

Release date: 2014-03-25 14:58 Date of issue: 2014-03-25 200186\_eng.xml