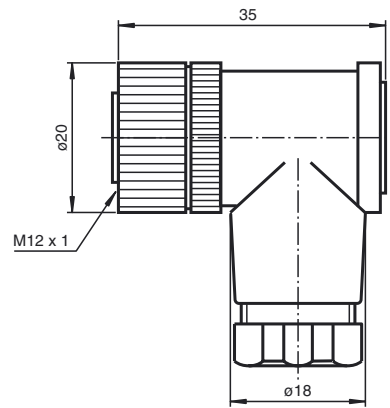




Dimensions



Model Number

V17-W-PG9

Cable socket, M12, 8-pin, ready for assembly

Features

- Gold plated contacts

Technical data

General specifications

Number of pins	8
Connection 1	female connector
Construction type 1	right angle
Threading 1	M12

Electrical specifications

Operating voltage	U_B	max. 60 V DC
Operating current		max. 2 A
Volume resistance		< 3 m Ω

Ambient conditions

Ambient temperature	-25 ... 85 °C (-13 ... 185 °F)
Pollution Degree	3

Mechanical specifications

Protection degree	IP67
Connection	1 x M12 right-angled socket Screw terminals for max. 0.5 mm ² PG9 cable gland

Material	
Contacts	CuZn
Contact surface	Au
Body	PA
Slotted nut	CuZn, nickel-plated
Cable	
Sheath diameter	6 ... 8 mm

Electrical connection

