



### Model Number

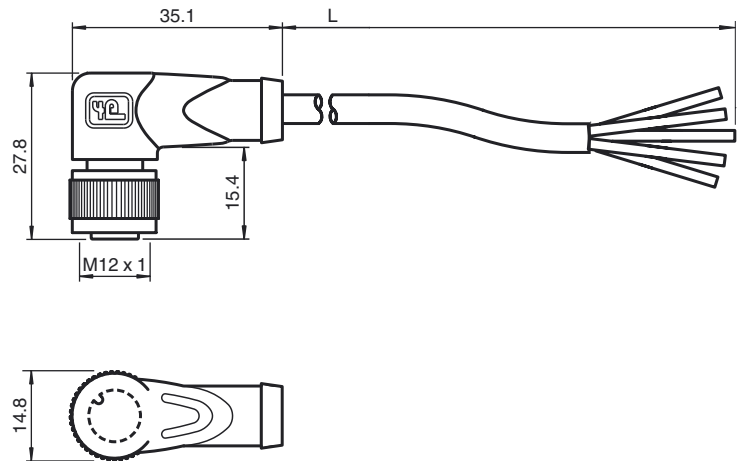
**V15-W-7M-PVC**

Female cordset, M12, 5-pin, PVC cable

### Features

- Knurled nut suitable for tool assembly
- Immunity to vibration, with mechanical latching
- Gold plated contacts
- Degree of protection IP67 / IP68 / IP69K

### Dimensions



### Technical data

#### General specifications

Number of pins 5

#### Electrical specifications

Operating voltage  $U_B$  max. 60 V AC/DC  
 Operating current  $I_B$  max. 4 A  
 Volume resistance  $< 5 \text{ m}\Omega$

#### Ambient conditions

Ambient temperature Body: -40 ... 90 °C (-40 ... 194 °F)  
 cable, fixed: -25 ... 70 °C (-13 ... 158 °F)  
 cable, flexing: -5 ... 70 °C (23 ... 158 °F)

Pollution Degree 3

#### Mechanical specifications

Contact elements spring-loaded contact socket

Pin diameter 1 mm

Degree of protection IP67 / IP68 / IP69k

#### Material

Contacts CuSn / Au

Contact surface Au

Body TPU, black

Cable PVC

Slotted nut Diecast zinc

Core insulation PVC

Cable fine-strand, flexible

Sheath diameter  $\varnothing 4.8 \text{ mm}$

Bending radius  $> 10 \times$  cable diameter, moving

Color grey

Cores  $5 \times 0.34 \text{ mm}^2$

Conductor construction  $19 \times 0.15 \text{ mm } \varnothing$

Length L 7 m

#### Flammability

Contact material 94 HB

Housing 94 V-2

#### Compliance with standards and directives

Standard conformity

Degree of protection EN 60529:2000

Standards IEC 61076-2-101:2008

### Electrical connection

