

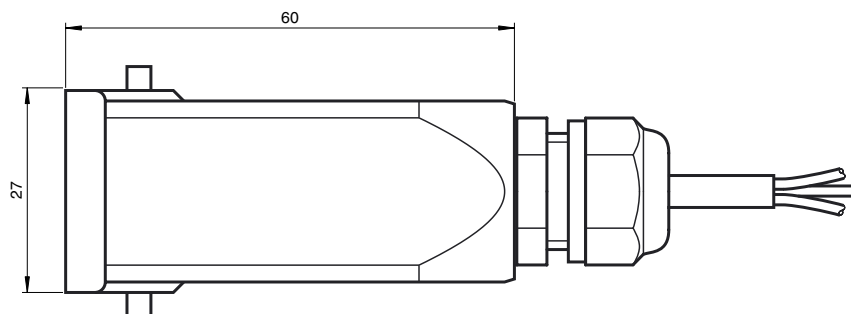


### Model Number

**V8HAN-G-10M-PVC-ABG**

Cable box, Harting, 8-pin, shielded,  
PVC cable

### Dimensions



### Technical data

#### General specifications

Number of pins	8
Connection 1	female connector
Construction type 1	straight
Connection 2	cable end

#### Electrical specifications

Operating voltage	$U_B$	50 V
Rated operational voltage	$U_e$	230/400 V
Operating current		10 A
Volume resistance		< 3 m $\Omega$

#### Ambient conditions

Ambient temperature	-40 ... 80 °C (-40 ... 176 °F) (fixed cable)
Pollution Degree	3

#### Mechanical specifications

Pin diameter	1 mm
Protection degree	IP65
Connection	8 jacks, Harting 8 D , size 3A
<b>Material</b>	
Contacts	Cu alloy
Contact surface	Au
Body	aluminum and polycarbonate
Cable	PVC
<b>Cable</b>	
Sheath diameter	Ø8.7 mm
Bending radius	> 10 x cable diameter, moving
Color	grey
Cores	8 x 0.5 mm <sup>2</sup>
Shield	grid
Length	L 10 m
<b>Flammability</b>	
Housing	94 V-0

#### Compliance with standards and directives

<b>Standard conformity</b>	
Protection degree	EN 60529

### Electrical connection

