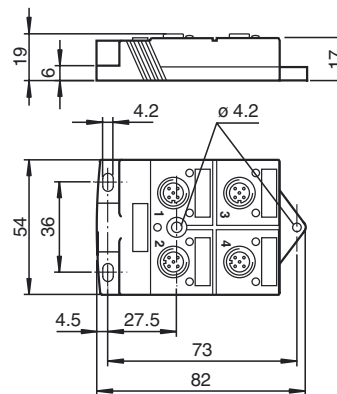


Dimensions



Model Number

V1-4A-E-5M-PUR

Quadruple splitter box with M12 connector with basic cable, NPN

Features

- Flat housing
- LED indicator for module supply and I/O status
- Degree of protection IP67

Accessories

VAZ-V1-B3

Blind plug for M12 sockets

MH 05-SACB-4

Mounting aid for DIN rail

MH V1-SCREWDRIVER

torque screwdriver (0.4 Nm)

MH V1-BIT M12

plug-in cap M12

Technical data

General specifications

Number of pins 4

Indicators/operating means

LED green supply voltage each module
LED yellow I/O status indication

Electrical specifications

Operating voltage U_B 24 V DC, max. 30 V DC
Operating current I_B ≤ 5 mA per channel indication element
Current loading capacity ≤ 2 A per channel,
 ≤ 4 A per plug-in station,
 ≤ 12 A total current per separator

Ambient conditions

Ambient temperature -25 ... 75 °C (-13 ... 167 °F)
cable, flexing: -5 ... 80 °C (23 ... 176 °F)
cable, fixed: -40 ... 90 °C (-40 ... 194 °F)

Mechanical specifications

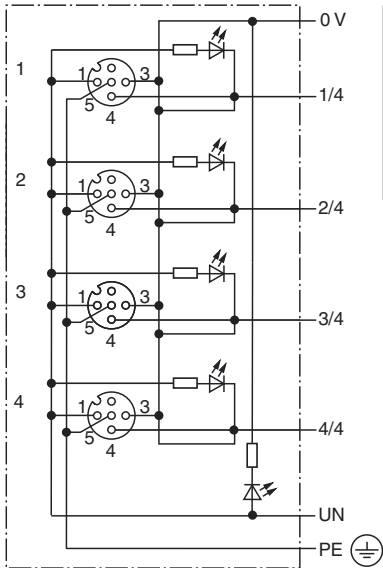
Connection type 4 x socket M12 x 1 4-pin
Master cable
Degree of protection IP65/IP67
Material
Contacts CuSn
Contact surface Ni/Au
Housing PA
Cable PUR
Seal O-ring: NBR
Cable flexible
Sheath diameter 8.7 mm
Bending radius > 10 x cable diameter, moving
Color black
Cores Signalling line (4): $4 \times 0.34 \text{ mm}^2$ (AWG 22)
Supply line (1, 3), PE (5): $3 \times 0.75 \text{ mm}^2$ (AWG 18)
Conductor construction 42 x 0.1 mm \varnothing
96 x 0.1 mm \varnothing
Length L 5 m
Mass approx. 609 g
Flammability 94 V-0

Compliance with standards and directives

Standard conformity
Degree of protection EN 60529

Release date: 2014-10-30 11:51 Date of issue: 2015-02-05 202623_eng.xml

Electrical connection



Slot/Pin (signal)	Color
1 / 4 (A)	WH
2 / 4 (A)	GN
3 / 4 (A)	YE
4 / 4 (A)	GY
1-4 / 1 (UN)	BN
1-4 / 3 (0 V)	BU
1-4 / 5 (PE)	GN/YE

