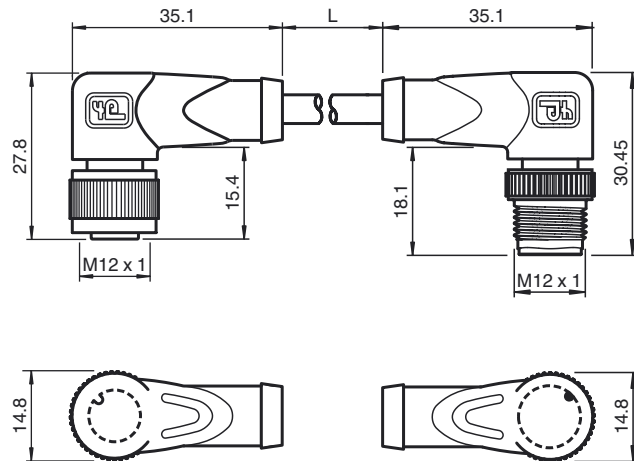


Dimensions



Model Number

V1-W-42-1M-PUR-V1-W

Double-ended cordset, M12 to M12, PUR cable, 4-pin, bridged

Features

- Pins 2 and 4 are crossed
- Knurled nut suitable for tool assembly
- Immunity to vibration, with mechanical latching
- Gold-plated and machined contacts
- Protection degree IP67 / IP68 / IP69K
- Halogen-free

Technical data

General specifications

| | |
|---------------------|----------------|
| Number of pins | 4 |
| Connection 1 | socket |
| Construction type 1 | right angle |
| Threading 1 | M12 |
| Connection 2 | Male connector |
| Construction type 2 | right angle |
| Threading 2 | M12 |

Electrical specifications

| | | |
|--------------------|-------|------------------|
| Operating voltage | U_B | max. 250 V AC/DC |
| Operating current | | max. 4 A |
| Contact resistance | | < 10 mΩ |

Ambient conditions

| | |
|---------------------|--|
| Ambient temperature | Body: -40 ... 90 °C (-40 ... 194 °F) cable, fixed: -40 ... 80 °C (-40 ... 176 °F) cable, flexing: -25 ... 80 °C (-13 ... 176 °F) |
| Pollution Degree | 3 |

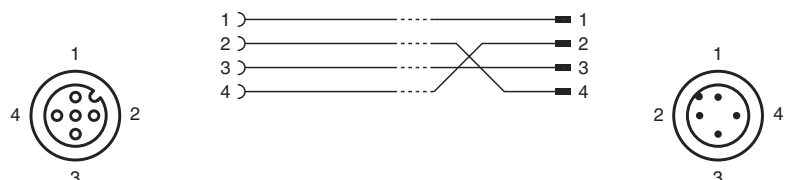
Mechanical specifications

| | |
|------------------------|--|
| Contact elements | spring-loaded contact socket |
| Pin diameter | 1 mm |
| Protection degree | IP67 / IP68 / IP69k |
| Material | |
| Contacts | CuSn / Au |
| Contact surface | Au |
| Body | TPU, black |
| Cable | PUR |
| Slotted nut | Diecast zinc |
| Sleeve connector | Diecast zinc |
| Core insulation | PP |
| Cable | |
| Cable | fine-strand, flexible |
| Sheath diameter | Ø 4.8 mm |
| Bending radius | > 10 x cable diameter, moving > 8 x cable diameter, fixed |
| Color | grey |
| Cores | 4 x 0.34 mm ² |
| Conductor construction | 19 x 0.15 mm Ø |
| Length | L 1 m |
| Flammability | |
| Contact material | 94 HB |
| Housing | 94 V-2 |

Compliance with standards and directives

| | |
|---------------------|---------------|
| Standard conformity | |
| Protection degree | EN 60529:2000 |

Electrical connection



Release date: 2014-01-22 19:05 Date of issue: 2014-01-22 202942_eng.xml



| | |
|--------------|----------------------|
| Standards | IEC 61076-2-101:2008 |
| Flammability | Grip: UL 94 |

Release date: 2014-01-22 19:05 Date of issue: 2014-01-22 202942_eng.xml