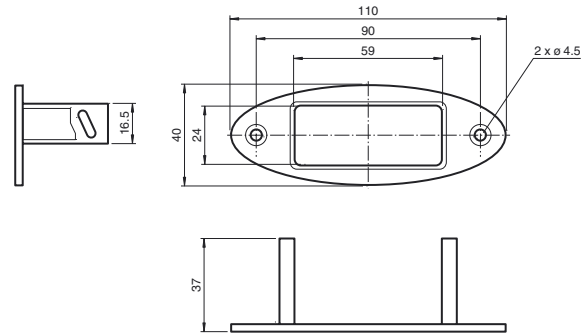




Dimensions



Model Number

Flush Mounting AIR20

Flush-mounted frame for sensors in the AIR20

Features

- Simple mounting

Technical data

General specifications

Setting angle 0 ... 15 °

Mechanical specifications

Material black ABS

Mass approx. 8 g

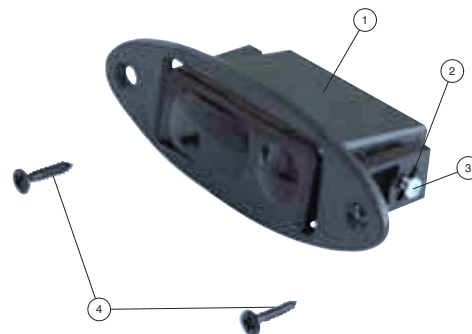
Dimensions 110 mm x 40 mm x 37 mm

Mounting Mounting accessories included

Suitable series

Series AIR20 , PIR20

Note



1. Insert the sensor into the brackets
2. Adjust the inclination angle between 0° und 15°
3. Use the provided screws (2.9 mm x 6.5 mm) for fixing the sensor
4. Integrate the mounted sensor into the hole with dimensions 77 mm x 29 mm and fixing with provided screws

Release date: 2013-09-03 09:37 Date of issue: 2013-09-03 203966_eng.xml

Refer to "General Notes Relating to Pepperl+Fuchs Product Information".