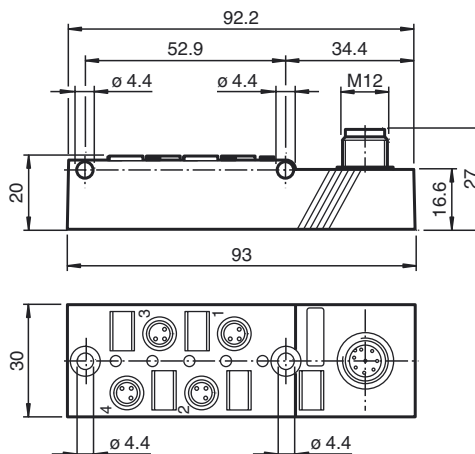




**Dimensions**



**Model Number**

**V3-4A-E2-V19**

Splitter box 4 x M8 single allocation, with 8-pole M12 plug

**Features**

- Fast, flexible installation/separation
- LED indicator for module supply and I/O status
- Degree of protection IP67

**Technical data**

**General specifications**

Number of pins	3
Color	black

**Indicators/operating means**

LED green	supply voltage each module
LED yellow	I/O status indication

**Electrical specifications**

Operating voltage	$U_B$	24 V DC, max. 30 V DC
Operating current		≤ 5 mA per channel indication element
Current loading capacity		≤ 2 A per channel, ≤ 2 A per plug-in station, ≤ 4 A total current per splitter box

**Ambient conditions**

Ambient temperature	-30 ... 80 °C (-22 ... 176 °F)
---------------------	--------------------------------

**Mechanical specifications**

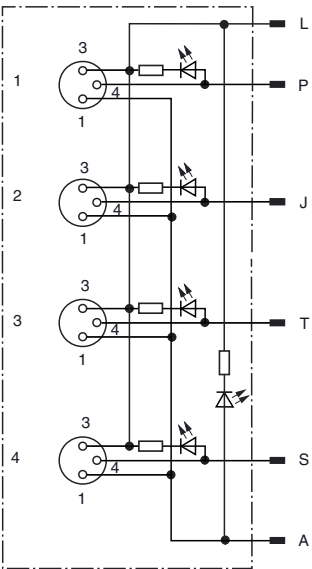
Connection type	4 x socket M12 x 1 3-pin 1 x Male connector M12 8-pin
Degree of protection	IP67 according to EN 60529
Connection	8-pin, M12 connector M8 sockets , 3-pin
Mass	approx. 93 g
Flammability	94 V-0

**Compliance with standards and directives**

Standard conformity	
Degree of protection	EN 60529

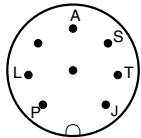
Release date: 2014-10-30 11:58 Date of issue: 2014-10-30 204158\_eng.xml

Electrical connection

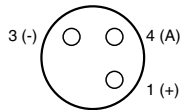


M12-connector -V19	M8-socket/pole
P	1/4 (A)
J	2/4 (A)
T	3/4 (A)
S	4/4 (A)
A	1 ... 4/1 (+24 V)
L	1 ... 4/3 (0 V)

Displays



M12-connector -V19



M8-socket