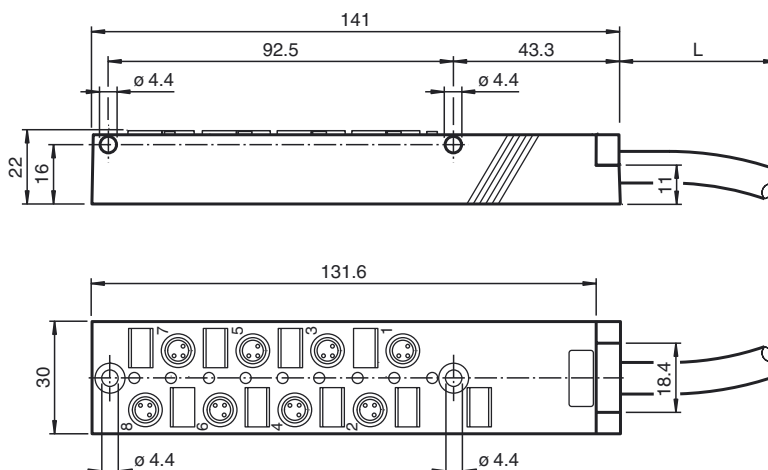




Dimensions



Model Number

V3-8A-E2-10M-PUR

Splitter box 8 x M8 single allocation, with trunk cable

Features

- Flat housing
- LED indicator for module supply and I/O status
- Degree of protection IP67

Technical data

General specifications

Number of pins	3
Color	black

Indicators/operating means

LED green	supply voltage each module
LED yellow	I/O status indication

Electrical specifications

Operating voltage	U_B	24 V DC, max. 30 V DC
Operating current		≤ 5 mA per channel indication element
Current loading capacity		≤ 2 A per channel, ≤ 2 A per plug-in station, ≤ 6 A total current per splitter box

Ambient conditions

Ambient temperature	-30 ... 80 °C (-22 ... 176 °F) cable, flexing: -5 ... 70 °C (-23 ... 158 °F), cable, fixed: -30 ... 70 °C (-22 ... 158 °F)
---------------------	--

Mechanical specifications

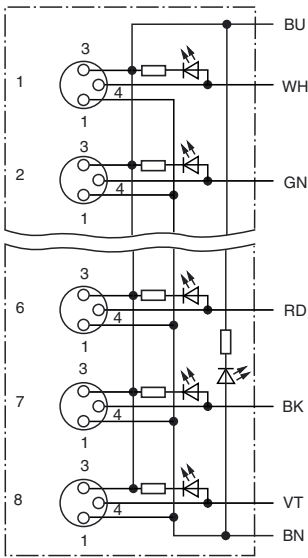
Connection type	8 x socket M8 x 1 3-pin Master cable
Degree of protection	IP67 according to EN 60529
Material	
Cable	PUR
Core insulation	PVC
Cable	flexible
Sheath diameter	8.7 mm
Bending radius	> 10 x cable diameter, moving
Color	black
Cores	Signal wires (4): 8 x 0.34 mm ² Supply line (1, 3): 2 x 0.75 mm ²
Length	L 10 m
Mass	approx. 1204 g
Flammability	94 V-0

Compliance with standards and directives

Standard conformity	
Degree of protection	EN 60529

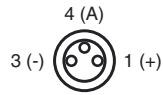
Release date: 2014-10-30 11:46 Date of issue: 2014-10-30 204161_eng.xml

Electrical connection



Core colour	M8-socket/pole
WH	1/4 (A)
GN	2/4 (A)
YE	3/4 (A)
GY	4/4 (A)
PK	5/4 (A)
RD	6/4 (A)
BK	7/4 (A)
VT	8/4 (A)
BN	1 ... 8/1 (+24 V)
BU	1 ... 8/3 (0 V)

Displays



M8-socket