

Model Number

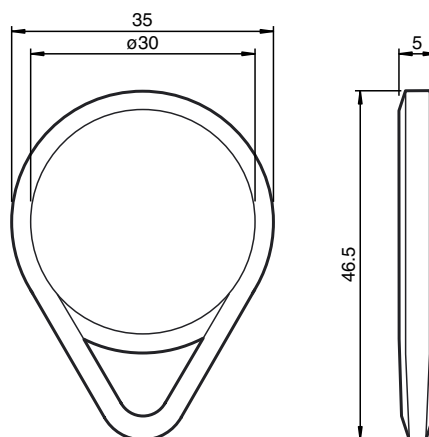
IPC03-20K2

Data carrier

Features

- Battery-free data carrier
- 32 bit fixcode
- 928 bits computer memory available
- Readable and writable from both sides
- Protection degree IP67
- Key fob

Dimensions



Technical data

General specifications

| | |
|---------------------|----------|
| Operating frequency | 125 kHz |
| Transfer rate | 2 kBit/s |
| Color | red |

Memory

| | |
|-----------------------|-----------------------------------|
| Chip Type | EM4450 Titan (EM Microelectronic) |
| Type/Size | EEPROM 928 Bit ROM 32 Bit |
| Read cycles | unlimited |
| Write cycles | > 100000 |
| Data retention period | > 10 years |

Ambient conditions

| | |
|---------------------|-------------------------------|
| Ambient temperature | -20 ... 80 °C (-4 ... 176 °F) |
| Storage temperature | -20 ... 80 °C (-4 ... 176 °F) |

Mechanical specifications

| | |
|-------------------|--------------------|
| Protection degree | IP67 |
| Material | |
| Housing | PC (Polycarbonate) |

Compliance with standards and directives

| | |
|---------------------------|----------------------------------|
| Directive conformity | |
| EMC Directive 2004/108/EC | EN 61000-6-2:2005, EN 50295:1999 |
| Standard conformity | |
| Protection degree | EN 60529 |

Notes

The transponder can be read and written from either side.