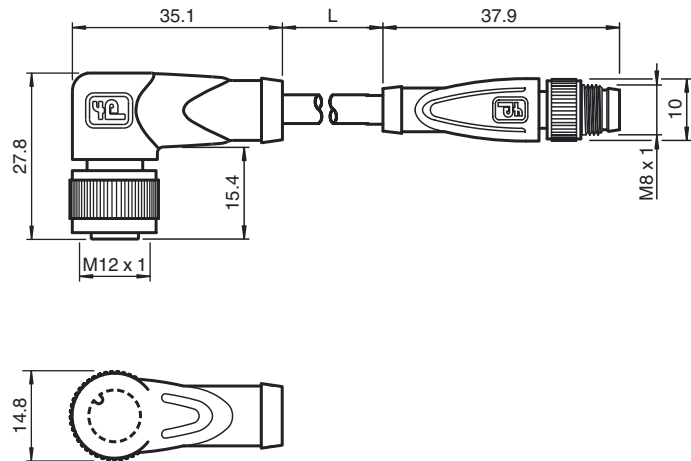




Dimensions



Model Number

V1-W-2M-PUR-V31-GM

Connection cable, M12 to M8, PUR cable, 4-pin

Features

- Knurled nut suitable for tool assembly
- Immunity to vibration, with mechanical latching
- Gold-plated and machined contacts
- Resistant to microbes and hydrolysis
- Halogen-free

Technical data

General specifications

Number of pins	4
Connection 1	socket
Construction type 1	right angle
Threading 1	M12
Connection 2	Male connector
Construction type 2	straight
Threading 2	M8

Electrical specifications

Operating voltage	U_B	max. 30 V DC
Operating current		max. 3 A
Contact resistance		< 10 mΩ

Ambient conditions

Ambient temperature	-40 ... 90 °C (-40 ... 194 °F) cable, fixed: -40 ... 80 °C (-40 ... 176 °F) cable, flexing: -20 ... 80 °C (-4 ... 176 °F)
Pollution Degree	3

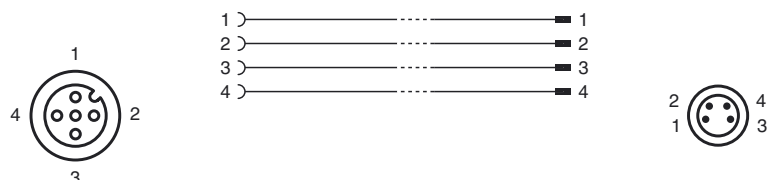
Mechanical specifications

Contact elements	spring-loaded contact socket
Pin diameter	1 mm
Protection degree	IP67
Material	
Contacts	CuSn / Au
Contact surface	Au
Body	TPU, green
Cable	PUR
Slotted nut	Diecast zinc
Sleeve connector	Diecast zinc
Core insulation	PP
Cable	fine-strand, flexible
Sheath diameter	Ø 4.3 mm
Bending radius	> 15 x cable diameter, induced > 8 x cable diameter, fixed
Color	grey
Cores	4 x 0.25 mm ²
Conductor construction	14 x 0.15 mm Ø
Length	L 2 m
Flammability	
Contact material	94 HB
Housing	94 V-2

Compliance with standards and directives

Standard conformity	
Protection degree	EN 60529:2000

Electrical connection



Release date: 2013-08-13 18:40 Date of issue: 2013-08-13 207601_eng.xml



Standards

IEC 61076-2-101:2008

Release date: 2013-08-13 18:40 Date of issue: 2013-08-13 207601_eng.xml