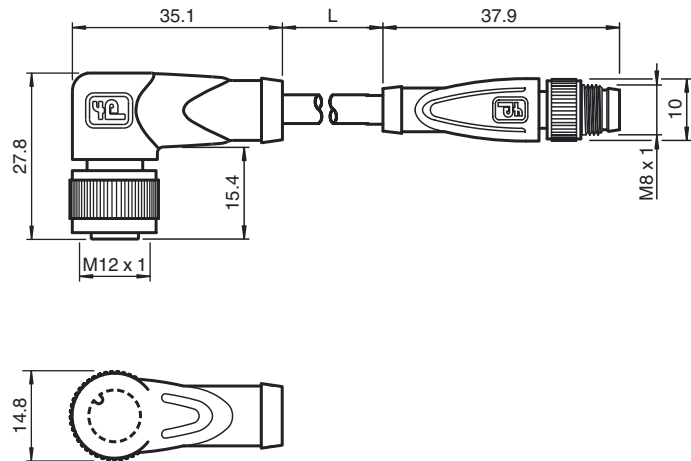




Dimensions



Model Number

V1-W-5M-PUR-V31-GM
 Connection cable, M12 to M8, PUR cable, 4-pin

Features

- Knurled nut suitable for tool assembly
- Immunity to vibration, with mechanical latching
- Gold-plated and machined contacts
- Resistant to microbes and hydrolysis
- Halogen-free

Technical data

General specifications

| | |
|---------------------|----------------|
| Number of pins | 4 |
| Connection 1 | socket |
| Construction type 1 | right angle |
| Threading 1 | M12 |
| Connection 2 | Male connector |
| Construction type 2 | straight |
| Threading 2 | M8 |

Electrical specifications

| | | |
|--------------------|-------|--------------|
| Operating voltage | U_B | max. 30 V DC |
| Operating current | | max. 3 A |
| Contact resistance | | < 10 mΩ |

Ambient conditions

| | |
|---------------------|---|
| Ambient temperature | -40 ... 90 °C (-40 ... 194 °F) cable, fixed: -40 ... 80 °C (-40 ... 176 °F) cable, flexing: -20 ... 80 °C (-4 ... 176 °F) |
| Pollution Degree | 3 |

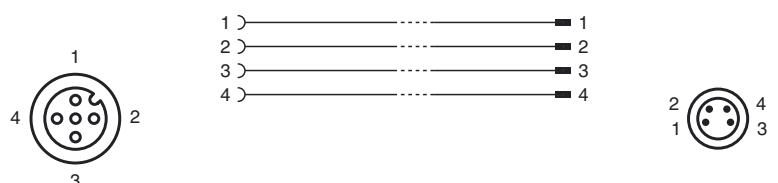
Mechanical specifications

| | |
|------------------------|---|
| Contact elements | spring-loaded contact socket |
| Pin diameter | 1 mm |
| Protection degree | IP67 |
| Material | |
| Contacts | CuSn / Au |
| Contact surface | Au |
| Body | TPU, green |
| Cable | PUR |
| Slotted nut | Diecast zinc |
| Sleeve connector | Diecast zinc |
| Core insulation | PP |
| Cable | fine-strand, flexible |
| Sheath diameter | Ø 4.3 mm |
| Bending radius | > 15 x cable diameter, induced > 8 x cable diameter, fixed |
| Color | grey |
| Cores | 4 x 0.25 mm ² |
| Conductor construction | 14 x 0.15 mm Ø |
| Length | L 5 m |
| Flammability | |
| Contact material | 94 HB |
| Housing | 94 V-2 |

Compliance with standards and directives

| | |
|---------------------|---------------|
| Standard conformity | |
| Protection degree | EN 60529:2000 |

Electrical connection



Release date: 2013-08-13 18:41 Date of issue: 2013-08-13 207602_eng.xml



Standards

IEC 61076-2-101:2008

Release date: 2013-08-13 18:41 Date of issue: 2013-08-13 207602_eng.xml