



Model Number

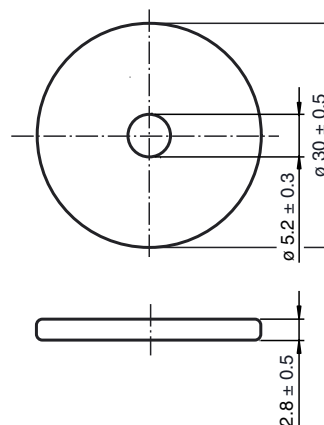
IQC33-30

Data carrier

Features

- Operating frequency 13.56 MHz
- Conforms to ISO 15693
- 16 kbit memory available
- 64 bit Fixcode
- Protection degree IP68
- Readable and writable from both sides
- Mounting holes for simple installation

Dimensions



Technical data

General specifications

Operating frequency	13.56 MHz
Transfer rate	26 kBit/s

Memory

Chip Type	FRAM MB89R118 (Fujitsu)
Type/Size	FRAM 16 kBit , fixcode 64 Bit
Read cycles	unlimited
Write cycles	unlimited
Data retention period	10 years

Ambient conditions

Ambient temperature	-20 ... 85 °C (-4 ... 185 °F)
Storage temperature	-40 ... 90 °C (-40 ... 194 °F) for 1000 h -40 ... 140 °C (233 ... 413 K) for 100 h
Shock and impact resistance	Oscillation (sinus): 10 g, 10 - 2000 Hz, in all 3 spatial axes, 2.5 hours shock (continuous shocks): 40 g, 18 ms, in all 6 spatial directions, 2000 shocks

Mechanical specifications

Protection degree	IP68
Material	
Housing	PA 6 modified
Mass	3 g

Compliance with standards and directives

Standard conformity	
Protection degree	EN 60529
Shock and impact resistance	IEC 68-2-6 , IEC 68-2-29
RFID	ISO/IEC 15693-1:2010 , ISO/IEC 15693-2:2006 , ISO/IEC 15693-3:2009 , ISO/IEC 18000-3

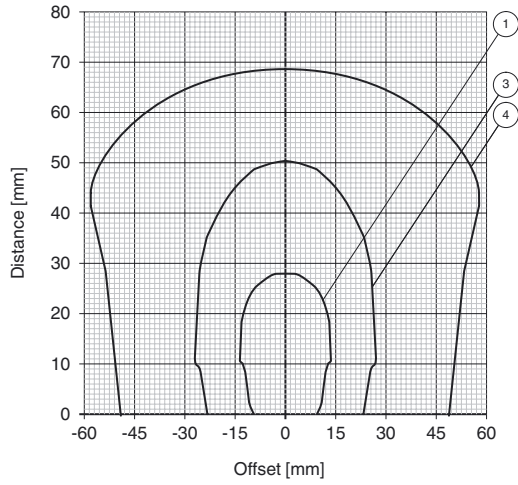
Notes

The transponder can be read and written from either side.

Read/write distances

- ① IQH1-18GM-V1 ② IQH1-F61-V1 ③ IQH1-FP-V1
- ④ IQH1-F15-V1

Reading range in air IQC33-30



Release date: 2012-08-23 08:46 Date of issue: 2012-08-23 207937_eng.xml