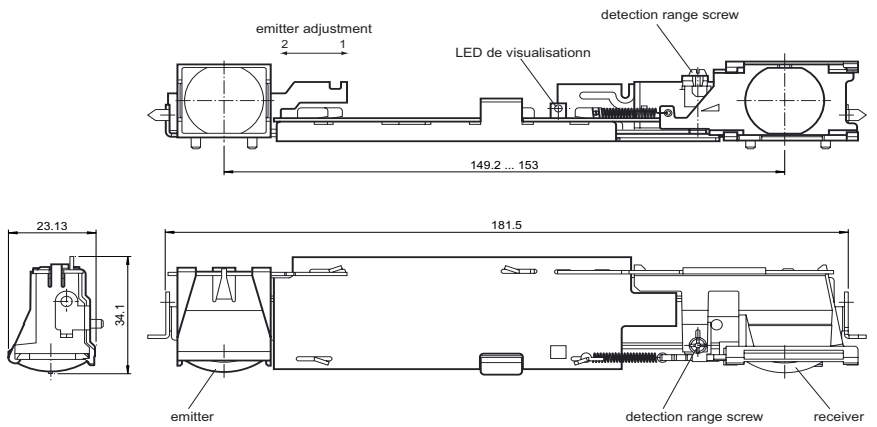




**Dimensions**



**Model Number**

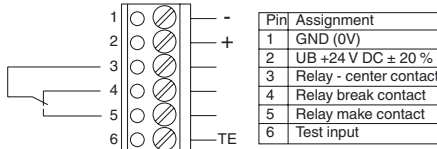
**AIR17-S Master**

Replacement/extension sensor module

**Features**

- Sensor module for configurable TopScan-S
- Master module
- Category 2, tested and certified to DIN 18650/EN 16005
- Safe function even on difficult floors
- Easy adjustment of transmitter for hinge side/ opposite hinge side

**Electrical connection**



Explanation:  
Relay:  
Relay is inactive during detection  
Relay is active in free detection field

Test input:  
Test input is inactive at: U<sub>low</sub> = -3 V ... +5 V DC  
Test input is active at: U<sub>high</sub> = +11 V ... +30 V DC

Release date: 2014-01-24 10:17 Date of issue: 2014-01-24 208177\_eng.xml

## Technical data

### General specifications

Detection range min.	0 ... 1500 mm
Detection range max.	0 ... 2500 mm
Light source	IREL
Light type	modulated infrared light
Black/White difference (6%/90%)	< 2 % at 2000 mm sensor range
Operating mode	Background evaluation
Diameter of the light spot	1.1 cm x 8.3 cm at 2000 mm sensor range

### Functional safety related parameters

MTTF <sub>d</sub>	880 a
Mission Time (T <sub>M</sub> )	20 a
Diagnostic Coverage (DC)	90 %

### Indicators/operating means

Function indicator	LED red/green
Control elements	Detection range adjuster

### Electrical specifications

Operating voltage	U <sub>B</sub>	24 V DC +/- 20 %
No-load supply current	I <sub>0</sub>	75 mA

### Input

Test input	active at U = 11 V DC at 30 V DC inactive at U = -3 V DC at 5 V DC
------------	--

### Output

Switching type	Relay de-energized at object inside the scanning range
Signal output	Relay, 1 alternator
Switching voltage	5 V ... 30 V AC/DC
Switching current	max. 300 mA
Response time	≤ 70 ms

### Ambient conditions

Ambient temperature	-10 ... 50 °C (14 ... 122 °F)
---------------------	-------------------------------

### Mechanical specifications

Mounting height	max. 2500 mm
Note	Safety fuse ≤ 1 A (slow-blow) according to IEC 60127-2 Sheet 1 Recommendation: after a short circuit, check that the device is functioning correctly.

### Approvals and certificates

CCC approval	CCC approval / marking not required for products rated ≤36 V
--------------	--

## Design of the device

