

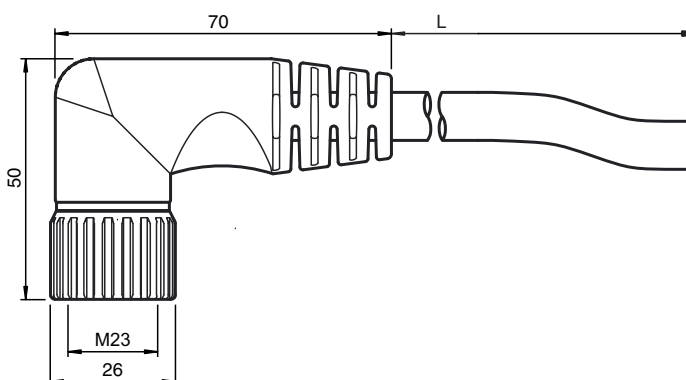


Model Number

V23-19-W-15M-PUR

Female cordset, M23, 19-pin, PUR cable

Dimensions



Technical data

General specifications

| | |
|---------------------|------------------|
| Number of pins | 19 |
| Connection 1 | female connector |
| Construction type 1 | right angle |
| Threading 1 | M23 |
| Connection 2 | cable end |

Electrical specifications

| | | |
|-------------------|-------|----------|
| Operating voltage | U_B | 150 V AC |
| Operating current | | 12 A |

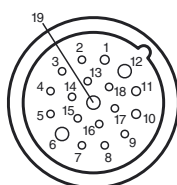
Ambient conditions

| | |
|---------------------|--|
| Ambient temperature | -30 ... 70 °C (-22 ... 158 °F) (fixed cable) |
| Storage temperature | -5 ... 70 °C (23 ... 158 °F) (movable cable) |
| Pollution Degree | 2 |

Mechanical specifications

| | |
|-----------------|--|
| Material | |
| Cable | PUR/PVC |
| Cable | |
| Sheath diameter | Ø 11.6 mm |
| Color | black |
| Cores | 16 x 0.5 mm ² and 3 x 1 mm ² |
| Length | L 15 m |

Electrical connection



| | | | |
|----|-------|----|-------|
| 1 | VT | 11 | BK |
| 2 | RD | 12 | GN/YE |
| 3 | GY | 13 | YE/BN |
| 4 | RD/BU | 14 | BN/GN |
| 5 | GN | 15 | WH |
| 6 | BU | 16 | YE |
| 7 | GY/PK | 17 | PK |
| 8 | WH/GN | 18 | GY/BN |
| 9 | WH/YE | 19 | BN |
| 10 | WH/GY | | |