



Model number

VAZ-IEI1-READER1-S-V3

RFID read head for non-contact AS-Interface safety switches

Features

- Large coverage area with mismatch
- No contact bounce
- High circumvention security
- Good long-term stability

Function

In combination with the VAZ-IEI1-TAG1-S actuator, the VAZ-IEI1-READER1-S-V3 read head is a safety device for monitoring separately moving protective devices. The non-contact read head functions with a specific transponder.

The read head is attached to the stationary part of the protective device. The actuator which is attached to the moving part of the protective device has a unique programmed code. The read head transmits the read-in code to the VAA-4E-IEI1-CONTROL-J-S control interface. The control interface compares the read-in bit pattern with the stored code. On verification of the data, a signal is sent via the AS-Interface that the protective device is closed. Evaluation takes place via a safety monitor.

The Niro safety screws, which are included in the scope of supply, can be screwed in with a normal tool and prevent unscrewing.

Accessories

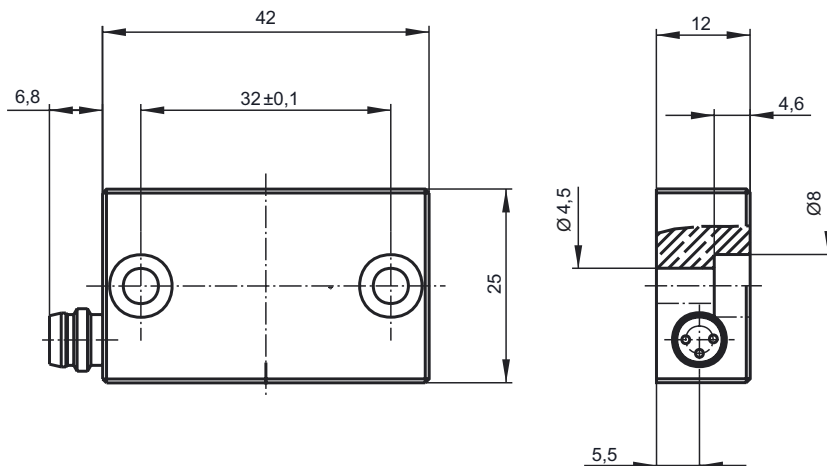
V3-GM-2M-PUR-ABG43-V1-G

Connection cable, M8 to M12, PUR cable, 3-pin

V3-GM-5M-PUR-ABG43-V1-G

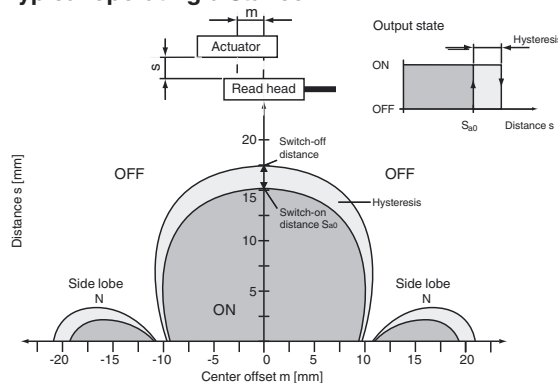
Connection cable, M8 to M12, PUR cable, 3-pin

Dimensions



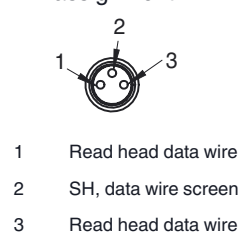
Indicating / Operating means

Typical operating distance



For a side approach direction for the actuator and read head, a minimum distance of $s = 3$ mm must be maintained, so that the operating distance of the side lobes is not entered.

**M8-plug connector
Pin assignment**



Technical data

General specifications

Detection type	inductive
start-up distance	6 mm embeddable 15 mm non-flush
assured start-up distance	$S_{a0} \geq 0.5$ mm ... 1.5 mm embeddable ≥ 0.5 mm ... 2 mm non-flush
assured deactivation distance	$S_{ar} \leq 23$ mm embeddable ≤ 32 mm non-flush
UL File Number	E179102

Nominal ratings

Hysteresis	H	0.5 ... 1.5 mm flush 2 mm non-flush
------------	---	--

Functional safety related parameters

Safety Integrity Level (SIL)	SIL 3
Performance level (PL)	PL e

Electrical specifications

Power supply	via evaluation unit
--------------	---------------------

Ambient conditions

Ambient temperature	-25 ... 70 °C (-13 ... 158 °F)
---------------------	--------------------------------

Mechanical specifications

Protection degree	IP67 / IP69K
Connection	M8 connector, 3-pin
Material	
Housing	PPS
Cable	
Length	L ≤ 25 m
Installation	any position

Compliance with standards and directives

Directive conformity	
----------------------	--

Release date: 2009-04-23 11:17 Date of issue: 2014-01-13 210514_eng.xml

EMC Directive 2004/108/EC	EN 60947-5-3
Standard conformity	
Functional safety	DIN EN 954-1, EN ISO 13849-1 (up to PL _d)

Matching system components

VAZ-IEI1-TAG1-S

RFID actuator for non-contact AS-Interface safety switches

VAA-4E-IEI1-CONTROL-J-S

Evaluation unit for RFID read heads, non-contact safety switches

Release date: 2009-04-23 11:17 Date of issue: 2014-01-13 210514_eng.xml