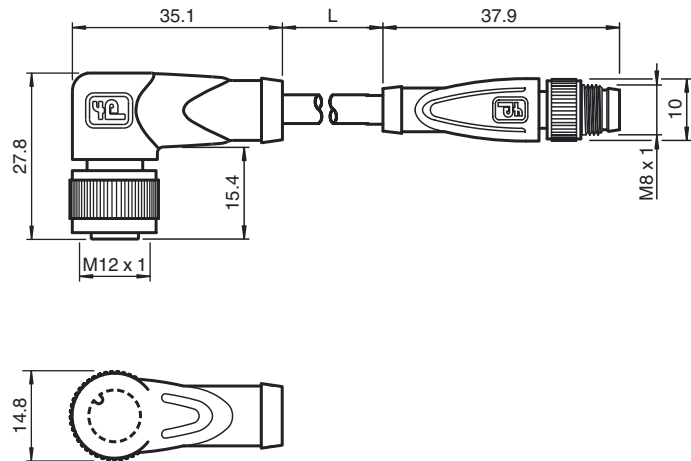




**Dimensions**



**Model Number**

**V11-W-0,6M-PUR-V3-GM**

Connection cable, M12 to M8, PUR cable, 3-pin

**Features**

- Knurled nut suitable for tool assembly
- Immunity to vibration, with mechanical latching
- Gold-plated and machined contacts
- Halogen-free
- Resistant to microbes and hydrolysis

**Technical data**

**General specifications**

Number of pins	3
Connection 1	socket
Construction type 1	right angle
Threading 1	M12
Connection 2	Male connector
Construction type 2	straight
Threading 2	M12

**Electrical specifications**

Operating voltage	$U_B$	max. 60 V AC/DC
Test voltage		> 1500 V <sub>eff</sub> AC
Operating current		max. 3 A
Volume resistance		< 5 mΩ

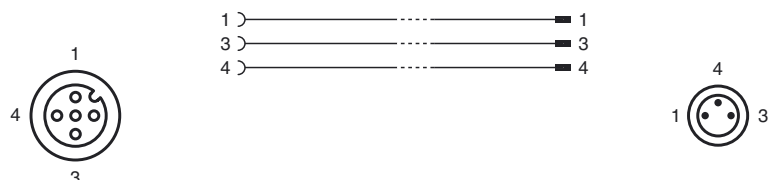
**Ambient conditions**

Ambient temperature	cable, fixed: -40 ... 80 °C (-40 ... 176 °F) cable, flexing: -20 ... 80 °C (-4 ... 176 °F)
Pollution Degree	3

**Mechanical specifications**

Contact elements	spring-loaded contact socket
Pin diameter	1 mm
Protection degree	IP67
<b>Material</b>	
Contacts	CuSn / Au
Contact surface	Au
Body	TPU, green
Cable	PUR
Slotted nut	Diecast zinc
Sleeve connector	Diecast zinc
Core insulation	PP
Cable	fine-strand, flexible
Sheath diameter	Ø 4.3 mm
Bending radius	> 15 x cable diameter, induced > 8 x cable diameter, fixed
Color	grey
Cores	3 x 0.25 mm <sup>2</sup>
Conductor construction	14 x 0.15 mm Ø
Length	L 0.6 m

**Electrical connection**



Release date: 2013-08-14 16:30 Date of issue: 2013-08-14 210888\_eng.xml

Refer to "General Notes Relating to Pepperl+Fuchs Product Information".