

### Model Number

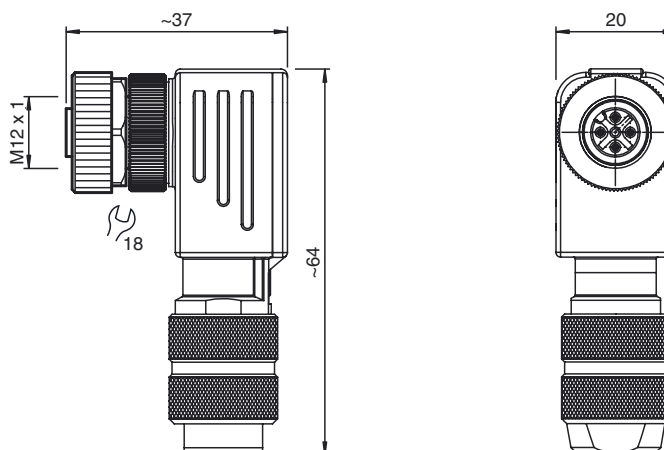
#### V1-W-ABG-PG9

Female connector, M12, 4-pin, screened, field attachable

### Features

- Screw terminal connection
- Metal locking
- Metal housing
- Iris spring screening
- Gold plated contacts

### Dimensions



### Technical data

#### General specifications

Number of pins	4
Connection 1	socket
Construction type 1	right angle
Threading 1	M12
UL File Number	E363587

#### Electrical specifications

Operating voltage	$U_B$	max. 250 V AC/DC
Operating current		4 A
Volume resistance		< 3 m $\Omega$

#### Ambient conditions

Ambient temperature	-40 ... 85 °C (-40 ... 185 °F)
Pollution Degree	3

#### Mechanical specifications

Degree of protection	IP67
Connection	Screw terminals for max. 0.75 mm <sup>2</sup> PG9 cable gland
Material	
Contacts	CuZn
Contact surface	Au
Body	Zinc die-casting, nickel-plated
Slotted nut	Zinc die-casting, nickel-plated
Cable	
Sheath diameter	5 ... 8 mm

#### Compliance with standards and directives

Standard conformity	
Degree of protection	EN 60529:2000

### Electrical connection

