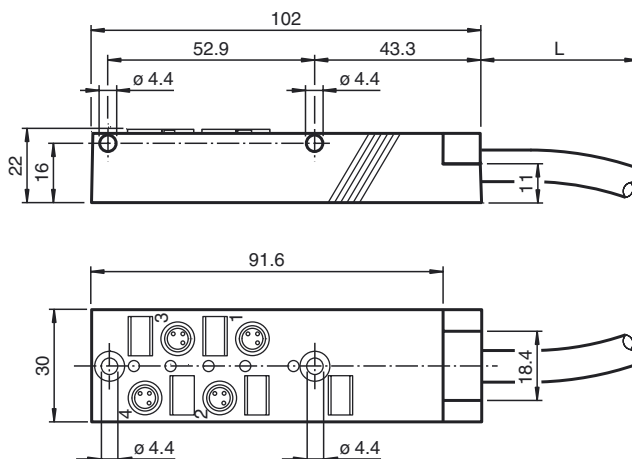




Dimensions



Model Number

V3-4A-E2-5M-PUR

Splitter box 4 x M8 single allocation, with trunk cable

Features

- Flat housing
- LED indicator for module supply and I/O status
- Degree of protection IP67

Technical data

General specifications

Number of pins	3
Color	black

Indicators/operating means

LED green	supply voltage each module
LED yellow	I/O status indication

Electrical specifications

Operating voltage	U_B	24 V DC, max. 30 V DC
Operating current		≤ 5 mA per channel indication element
Current loading capacity		≤ 2 A per channel, ≤ 2 A per plug-in station, ≤ 6 A total current per splitter box

Ambient conditions

Ambient temperature	-30 ... 80 °C (-22 ... 176 °F) cable, flexing: -5 ... 80 °C (23 ... 176 °F), cable, fixed: -40 ... 80 °C (-40 ... 176 °F)
---------------------	---

Mechanical specifications

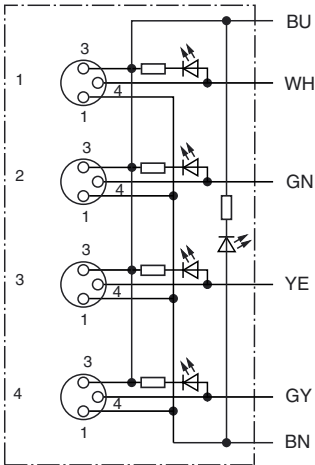
Connection type	4 x socket M8 x 1 3-pin Master cable
Degree of protection	IP65/IP67
Material	
Cable	PUR
Core insulation	PVC
Cable	
Sheath diameter	7.1 mm
Bending radius	> 10 x cable diameter, moving
Color	black
Cores	Signal wires (4): 4 x 0.34 mm ² Supply line (1, 3): 2 x 0.75 mm ²
Length	L 5 m

Compliance with standards and directives

Standard conformity	
Degree of protection	EN 60529

Release date: 2014-10-30 11:46 Date of issue: 2014-10-30 212130_eng.xml

Electrical connection



Core colour	M8-socket/pole
WH	1/4 (A)
GN	2/4 (A)
YE	3/4 (A)
GY	4/4 (A)
BN	1 ... 4/1 (+24 V)
BU	1 ... 4/3 (0 V)

Displays

