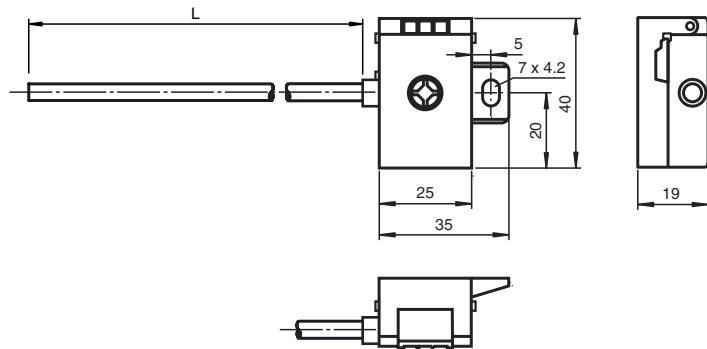




Dimensions



Model number

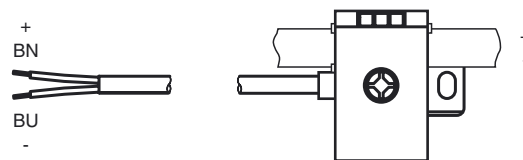
VAZ-T1-FK-2M-PUR

Splitter box AS-interface to round cable

Features

- Compact design
- Fixing component with captive screw
- Simple and fast mounting
- Gold plated contacts
- Housing made of fiberglass reinforced plastic
- Polarity reversal protected
- Halogen-free

Electrical connection



Technical data

General specifications

Construction type	Round cable AS-Interface flat cable, terminal compartment
-------------------	--

Electrical specifications

Rated operating voltage	U_e	≤ 35 V PELV (AS-Interface)
Rated operating current	I_e	≤ 4 A
Surge protection	U_o : Over voltage category III, safe isolated power supplies (PELV)	

Ambient conditions

Ambient temperature	-25 ... 75 °C (-13 ... 167 °F)
Storage temperature	-25 ... 85 °C (-13 ... 185 °F)
Pollution Degree	3

Mechanical specifications

Degree of protection	IP67 / IP68 / IP69k
Connection	AS-Interface flat cable: Insulation penetration technology Open cable end
Material	
Housing	PA 66-GF25 Ultramid
Cable	PUR
Cable	
Sheath diameter	Ø4.8 mm
Color	grey
Cores	2 x 0.34 mm ²
Length	L 2 m
Mass	90 g
Tightening torque, fastening screws	1.65 Nm

Compliance with standards and directives

Standard conformity	
Degree of protection	EN 60529