



### Model Number

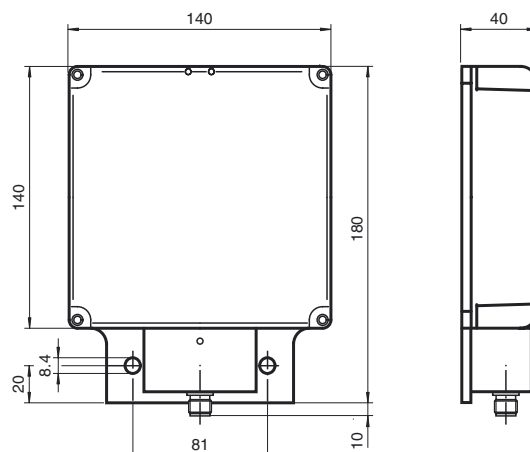
**IQH1-F15-V1**

HF read/write head, ISO 15693, for IDENTControl

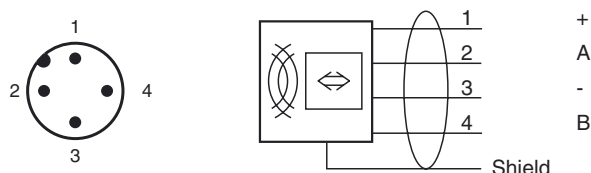
### Features

- Dual-LED for function display
- Connection via V1 (M12 x 1) plug connection
- Degree of protection IP67
- Including robust stainless steel mounting plate with only 2 mounting points

### Dimensions



### Electrical connection



### Technical data

#### General specifications

Operating frequency	13.56 MHz
Transfer rate	26 kBit/s
Sensing range	
Read distance	0 ... 160 mm (with transponder IQC22-C4 at 25°C)
Write distance	0 ... 160 mm (with transponder IQC22-C4 at 25°C)
Width	max. 160 mm
UL File Number	E87056 only from low voltage, limited energy source (SELV or PELV) or listed Class 2 source

#### Indicators/operating means

LED green/yellow	green: power on green flashing: read/write attempt performed yellow: data carrier detected
------------------	--

#### Electrical specifications

Power consumption	$P_0$	$\leq 3.5$ W
Supply	from the IDENTControl	
Mag. Field strength	20 dB $\mu$ A/m at 10 m	

#### Ambient conditions

Ambient temperature	-5 ... 70 °C (23 ... 158 °F)
Storage temperature	-40 ... 85 °C (-40 ... 185 °F)

#### Mechanical specifications

Degree of protection	IP67
Connection	M12 x 1 connector
Material	
Housing	PBT/stainless steel/aluminum
Encapsulation compound	WEVO 403FL/300
Installation	
Distance between two heads	Multiplex on: $\geq 100$ mm Multiplex off: $\geq 350$ mm
Mass	approx. 1100 g

#### Compliance with standards and directives

Directive conformity	
R&TTE Directive 1995/5/EC	EN 301489-1 V1.8.1 (2008-04), EN 301489-3 V1.4.1 (2002-08), EN 300330-2 V1.3.1 (2006-04), EN 60950-1:2006
Standard conformity	
Electromagnetic compatibility	EN 61000-6-2:2005, EN 61000-6-4:2007
Degree of protection	EN 60529:2000

RFID

ISO/IEC 15693-2:2006 , ISO/IEC 15693-3:2009 , ISO/IEC 18000-3

**Accessories****V1-G-5M-PUR-ABG-V1-W**

Connecting cable, M12 to M12, PUR cable 4-pin, shielded

**IQC21-58**

Data carrier

**IQC21-50P**

Data carrier

**IQC22-C1**

Data carrier

**IQC22-C4**

Data carrier

**IQC22-22-T9**

Data carrier

**IQC33-50**

Data carrier

**IQC22-C1 UNPRINTED**

Data carrier

**IQC21-50PVC**

Data carrier

**IQC21-F125**

Data carrier

**IQC33-20CT**

Data carrier

Release date: 2015-04-16 13:53 Date of issue: 2015-04-29 21:39:10\_eng.xml

Refer to "General Notes Relating to Pepperl+Fuchs Product Information".

Pepperl+Fuchs Group  
www.pepperl-fuchs.comUSA: +1 330 486 0001  
fa-info@us.pepperl-fuchs.comGermany: +49 621 776 4411  
fa-info@de.pepperl-fuchs.comSingapore: +65 6779 9091  
fa-info@sg.pepperl-fuchs.com