



### Model Number

**KC-LED-96-1T-24VDC**

LED display with 24 V<sub>DC</sub> supply voltage

### Features

- Counter/Timer/Tachometer
- Extremely bright, large LED indicator
- 1 pre-select value with transistor output
- Adding/subtracting via 2 separate inputs
- PNP and NPN sensors can be connected
- Protection degree IP65 (front only)

## Technical data

### General specifications

Pre-selection	single
Data storage	EEPROM
Programming	keypad-driven menu

### Functional safety related parameters

MTTF <sub>d</sub>	330 a
Mission Time (T <sub>M</sub> )	10 a
Diagnostic Coverage (DC)	0 %

### Indicators/operating means

Type	6-digit 7-segment LED display, red
Display value	digit height 14 mm
Display interval	0.001 s ... 999999 h
Decimal point	0 to max 3 fractional digits
Accuracy	Speed indicator: < 0.1%; timer: < 50 ppm
Reset	manually or external

### Electrical specifications

Fusing	10 ... 30 V DC: T 0.1 A
Operating voltage	U <sub>B</sub> 10 ... 30 V DC
Operating current	max. 50 mA

### Input

Signal voltage	
High	0.6 x U <sub>e</sub> ... 30 V DC
Low	0 ... 0.2 x U <sub>e</sub>
Counting frequency	30 Hz / 60 kHz with position display max. 25 kHz
Minimum pulse duration	5 ms for reset input
Impedance	approx. 5 kOhm
Counting method	adding or subtracting

### Ambient conditions

Ambient temperature	-20 ... 65 °C (253 ... 338 K) non-condensing
Storage temperature	-25 ... 70 °C (248 ... 343 K)
Altitude	0 ... 2000 m

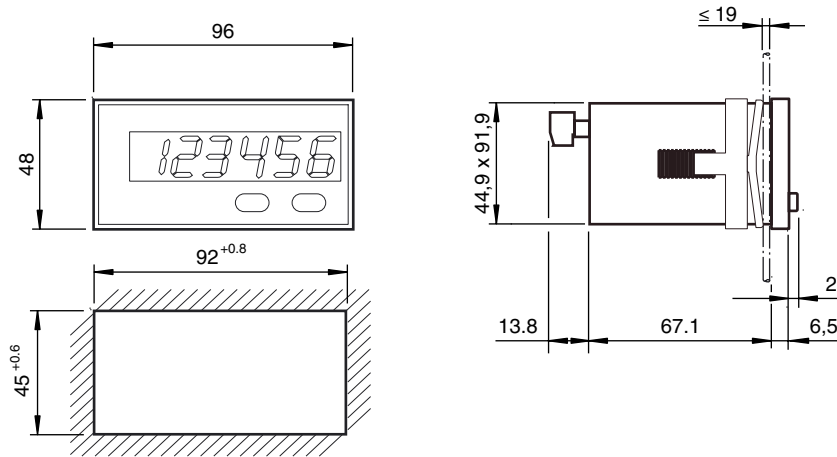
### Mechanical specifications

Protection degree	IP65 (front)
Mass	approx. 140 g
Dimensions	96 mm x 48 mm x 89.4 mm

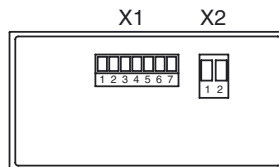
### Compliance with standards and directives

Directive conformity	
EMC Directive 2004/108/EC	EN 61000-6-2:2005
Standard conformity	
Emitted interference	DIN EN 55011:2009, Class B

## Dimensions



## Electrical connection



Connection assignment X2

Terminal No.	DC version
1	Power supply 0 V DC (GND)
2	Power supply 10 ... 30 V DC

Connection assignment X1

Terminal No.	DC version
1	Optocoupler collector output
2	Optocoupler emitter output
3	SET
4	INP B
5	INP A
6	n.c.
7	n.c.