**Model Number****WCS-HP-R**

Read head protection

Matching system components**WCS3R-LS221**

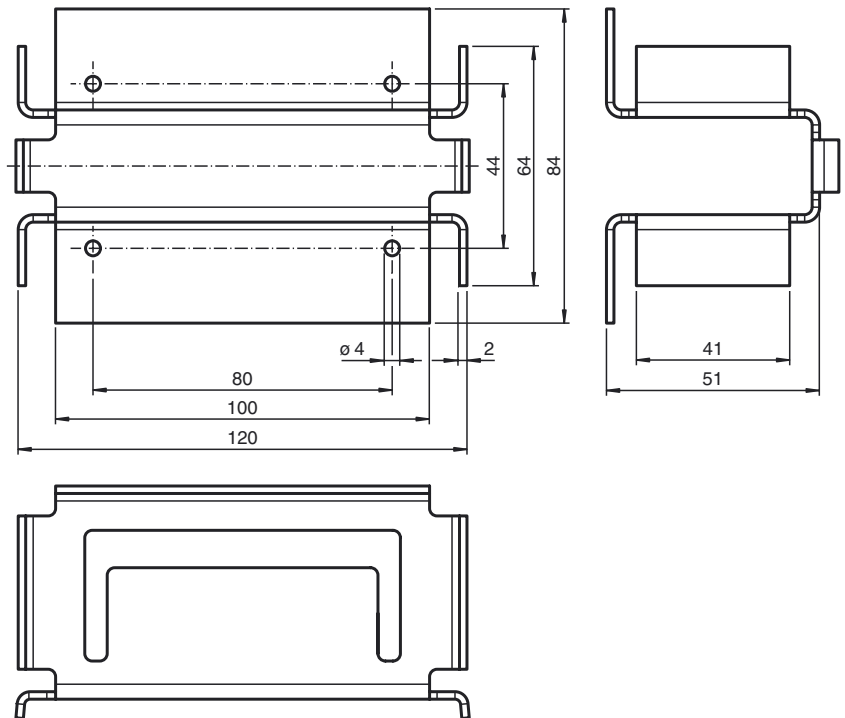
Reading head

WCS3R-LS24A

Reading head

WCS3R-LS266

Reading head

Dimensions**Technical data****Ambient conditions**

Ambient temperature -40 ... 100 °C (-40 ... 212 °F)

Mechanical specifications

Material thickness 2 mm

Material Metal sheet (steel), zinc-plated

Mass 325 g