



ECOLAB®

### Model number

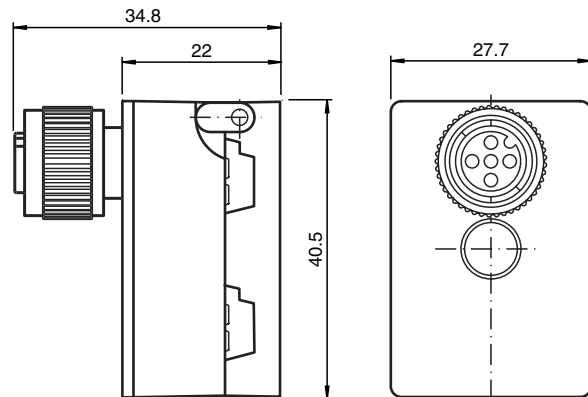
**VAZ-T1-FK-G10-V1**

Splitter box G10, AS-Interface to M12

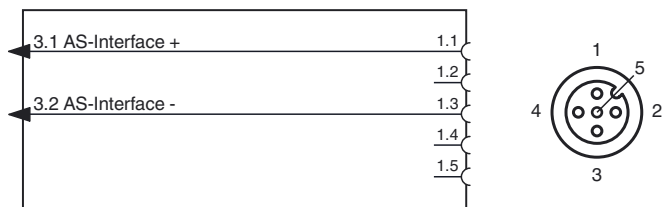
### Features

- One piece housing
- Simple and fast mounting
- Gold-plated and machined contacts
- Immunity to vibration
- Degree of protection IP68 / IP69K

### Dimensions



### Electrical connection



### Technical data

#### General specifications

Construction type	Socket, straight Flat cable terminal AS-Interface
UL File Number	E223772

#### Electrical specifications

Rated operating voltage	$U_e \leq 32 \text{ V PELV (AS-Interface)}$
Rated operating current	$I_e \leq 3 \text{ A}$
Protection class	III
Current loading capacity	max. 4 A
Surge protection	overvoltage category III

#### Ambient conditions

Ambient temperature	-25 ... 75 °C (-13 ... 167 °F)
Storage temperature	-25 ... 85 °C (-13 ... 185 °F)
Pollution Degree	3

#### Mechanical specifications

Degree of protection	IP67 IP67 / IP68 / IP69K with flat cable VAZ-FK-S*
Connection	Flat cable AS-Interface: cable piercing method Plug connection: M12 x 1 socket (V1)
Material	
Contacts	CuSn / Au
Housing	PBT PC
Mounting screw	Stainless steel 1.4305 / AISI 303
Mass	45 g
Tightening torque, fastening screws	1.65 Nm

#### Compliance with standards and directives

Standard conformity	
Degree of protection	EN 60529:2000

**Notes****Mounting instructions**

You may screw the device onto a level mounting surface using two M4 attachment screws. The attachment screws are not included.

