


ECOLAB

Model number

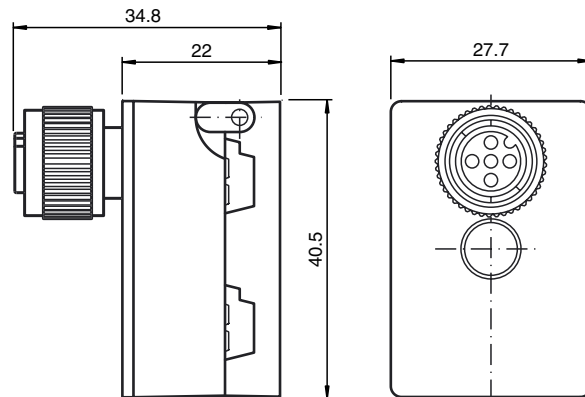
VAZ-2T1-FK-G10-V1

Splitter box G10, AS-Interface and auxiliary voltage to M12

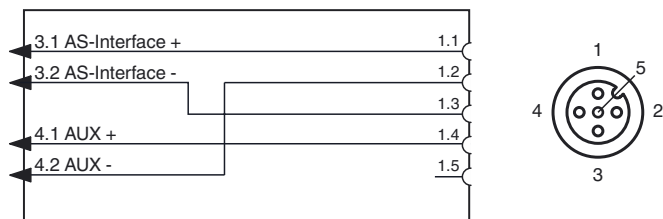
Features

- One piece housing
- Simple and fast mounting
- Gold-plated and machined contacts
- Immunity to vibration
- Degree of protection IP68 / IP69K

Dimensions



Electrical connection



Technical data

General specifications

| | |
|-------------------|--|
| Construction type | Socket, straight Flat cable terminals AS-Interface/ext. auxiliary voltage |
| UL File Number | E223772 |

Electrical specifications

| | | |
|--------------------------|-------|--|
| Rated operating voltage | U_e | ≤ 32 V PELV (AS-Interface , ext. auxiliary voltage AUX) |
| Rated operating current | I_e | ≤ 3 A AS-Interface, ≤ 3 A AUX |
| Protection class | | III |
| Current loading capacity | | max. 4 A |
| Surge protection | | overvoltage category III |
| Pulse withstand voltage | | 800 V |

Ambient conditions

| | |
|---------------------|--------------------------------|
| Ambient temperature | -25 ... 75 °C (-13 ... 167 °F) |
| Storage temperature | -25 ... 85 °C (-13 ... 185 °F) |
| Pollution Degree | 3 |

Mechanical specifications

| | |
|-------------------------------------|---|
| Degree of protection | IP67 IP67 / IP68 / IP69K with flat cable VAZ-FK-S* |
| Connection | Flat cable AS-Interface: cable piercing method Flat cable ext. auxiliary voltage U_{AUX} : Insulation penetration technology Plug connection: M12 x 1 socket (V1) |
| Material | |
| Contacts | CuSn / Au |
| Housing | PBT PC |
| Mounting screw | Stainless steel 1.4305 / AISI 303 |
| Mass | 45 g |
| Tightening torque, fastening screws | 1.65 Nm |

Compliance with standards and directives

| | |
|----------------------|---------------|
| Standard conformity | |
| Degree of protection | EN 60529:2000 |

Notes**Mounting instructions**

You may screw the device onto a level mounting surface using two M4 attachment screws. The attachment screws are not included.

