


ECOLAB

Model number

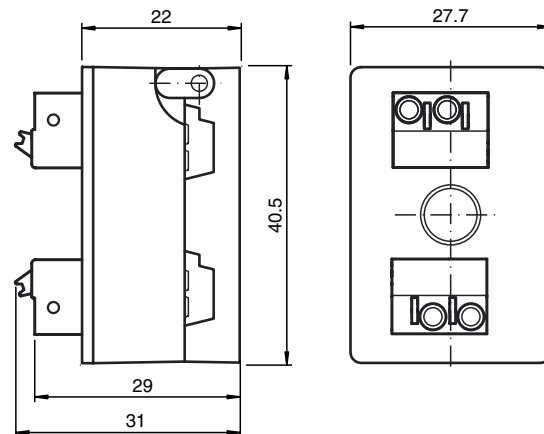
VAZ-T1-FK-G10-CLAMP1

Splitter box G10, 2 x AS-Interface to 2 double terminals

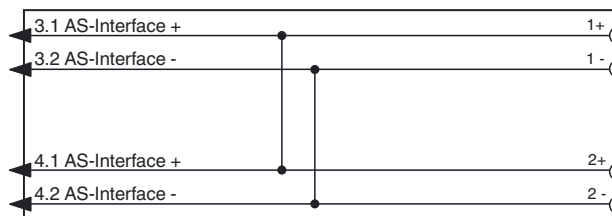
Features

- One piece housing
- Simple and fast mounting
- High current rating
- Gold-plated and machined contacts

Dimensions



Electrical connection



Technical data

General specifications

Construction type	Spring terminal flat cable terminals
UL File Number	E223772

Electrical specifications

Rated operating voltage	$U_e \leq 32 \text{ V PELV}$
Rated operating current	$I_e \leq 8 \text{ A}$
Protection class	III
Surge protection	overvoltage category III

Ambient conditions

Ambient temperature	-25 ... 75 °C (-13 ... 167 °F)
Storage temperature	-25 ... 85 °C (-13 ... 185 °F)
Pollution Degree	2

Mechanical specifications

Protection degree	IP20
Connection	Flat cable: cable piercing method spring terminal
Material	
Contacts	CuSn / Au
Housing	PBT PC
Mounting screw	Stainless steel 1.4305 / AISI 303
Mass	40 g
Tightening torque, fastening screws	1.65 Nm

Compliance with standards and directives

Standard conformity	
Protection degree	EN 60529:2000

Notes**Mounting instructions**

You may screw the device onto a level mounting surface using two M4 attachment screws. The attachment screws are not included.

