



Model number

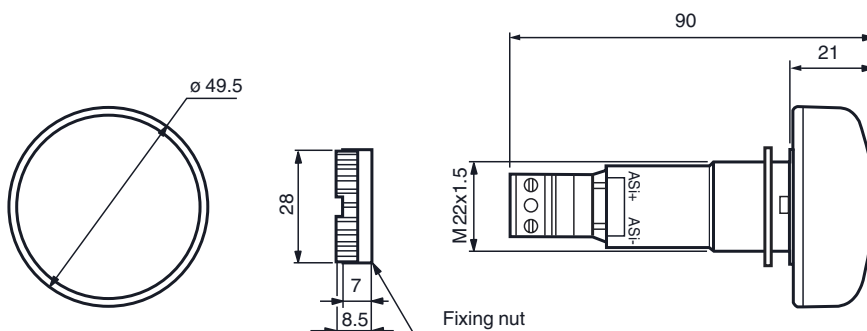
VBA-1E2A-BUZZER/LT-RD

AS-Interface buzzer element with acknowledgment

Features

- Good all-round visibility
- Shrill, continuous tone, with 80 dB
- Long service life due to long-lasting LEDs
- Simple connection via screw terminal
- splash and dust resistant
- Degree of protection: IP 65
- Acknowledge/silence the audible signal by lightly pressing the frontal area

Dimensions



Technical data

General specifications

Slave type	A/B slave
AS-Interface specification	V3.0
Required master specification	≥ V2.1
UL File Number	E223176
Color	red
Frequency	2.8 kHz Continuous signal
Loudness	80 dB

Indicators/operating means

LED red	active
---------	--------

Electrical specifications

Rated operating voltage	U_e	30 V DC
Rated operating current	I_e	≤ 80 mA
Inrush current		< 500 mA

Output

Number/Type	2 internal outputs 1 buzzer, 1 LED red
Supply	from AS-Interface
Voltage	25 V ... 31.6 V DC

Programming instructions

Profile	S-B.A.E
IO code	B
ID code	A
ID2 code	E

Data bits (function via AS-Interface)	input	output
D0	-	OUT1
D1	-	OUT2
D2	IN1	-
D3	IN2	-

Parameter bits (programmable via AS-i)

P0	Transparency on
P1	buzzer on
P2	for future expansion
P3	Acknowledgment signal for buzzer switch-off

Ambient conditions

Ambient temperature	-20 ... 50 °C (-4 ... 122 °F)
---------------------	-------------------------------

Mechanical specifications

Protection degree	IP65
Connection	plug-in screw terminals Wire cross section: ≤1.5 mm ² fine-strand
Material	PC/ABS
Mass	40 g
Life span	50000 h (Acoustic: min. 5000 h)

Compliance with standards and directives

Directive conformity	
EMC Directive 2004/108/EC	IEC 62026-2:2008
Standard conformity	



Protection degree	EN 60529:2000
Fieldbus standard	EN 50295:1999

Release date: 2010-06-17 09:59 Date of issue: 2014-01-13 216044_eng.xml