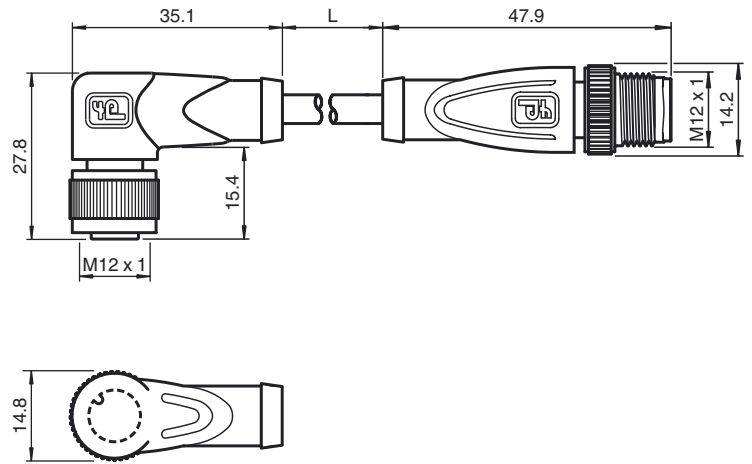


**Dimensions**



**Model Number**

**V1-W-E2-2M-PUR-H/S-V1-G**

Connection cable, M12 to M12 with LED, 3-pin, irradiated PUR cable

**Features**

- Built-in LED, as operating and function indicator
- Knurled nut suitable for tool assembly
- Immunity to vibration, with mechanical latching
- Gold-plated and machined contacts
- Flexible sheathing
- Halogen-free
- Protection degree IP67 / IP68 / IP69K

**Technical data**

**General specifications**

Number of pins	3
Connection 1	socket
Construction type 1	right angle
Threading 1	M12
Connection 2	Male connector
Construction type 2	straight
Threading 2	M12

**Indicators/operating means**

LED green	Operating display
LED yellow	Functional display NO

**Electrical specifications**

Operating voltage	$U_B$	max. 24 V DC $\pm$ 15%
Operating current		max. 4 A
Contact resistance		< 10 m $\Omega$

**Ambient conditions**

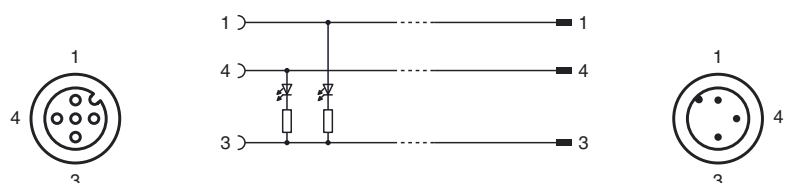
Ambient temperature	-40 ... 90 °C (-40 ... 194 °F) cable, fixed: -50 ... 105 °C (-58 ... 221 °F) cable, flexing: -40 ... 105 °C (-40 ... 221 °F)
---------------------	--

Pollution Degree	3
------------------	---

**Mechanical specifications**

Contact elements	spring-loaded contact socket
Pin diameter	1 mm
Protection degree	IP67 / IP68 / IP69k
Material	
Contacts	CuSn / Au
Contact surface	Au
Body	TPU, transparent/green
Cable	PUR, irradiated
Slotted nut	Diecast zinc
Sleeve connector	Diecast zinc
Core insulation	TPE-E
Cable	fine-strand, flexible
Sheath diameter	$\varnothing$ 4.8 mm
Bending radius	> 10 x cable diameter, moving > 5 x cable diameter, single bend
Color	orange
Cores	4 x 0.34 mm <sup>2</sup>
Conductor construction	19 x 0.15 mm $\varnothing$
Length	L 2 m
Flammability	
Contact material	94 HB
Housing	94 V-2

**Electrical connection**



Release date: 2013-12-23 10:15 Date of issue: 2013-12-23 218931\_eng.xml

Refer to "General Notes Relating to Pepperl+Fuchs Product Information".



**Compliance with standards and directives**

Standard conformity	
Protection degree	EN 60529:2000
Standards	IEC 61076-2-101:2008

Release date: 2013-12-23 10:15 Date of issue: 2013-12-23 218931\_eng.xml