



Model Number

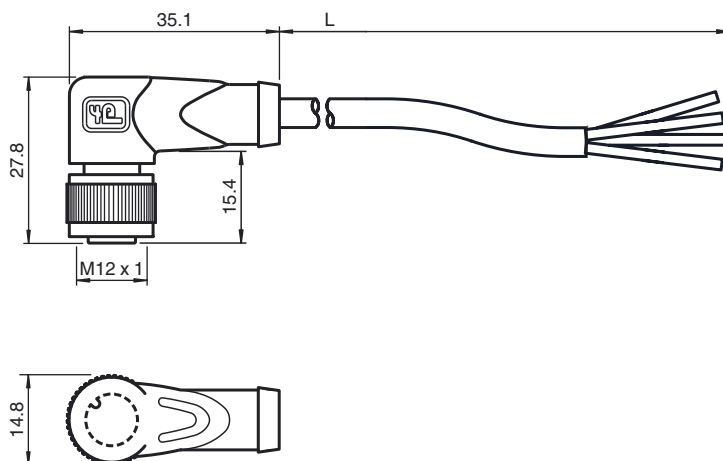
V1-W-N4-25M-PUR

Female cordset, M12, 4-pin, NAMUR, PUR cable

Features

- Suitable for NAMUR technology
- Blue body and sheathing
- Knurled nut suitable for tool assembly
- Immunity to vibration, with mechanical latching
- Gold plated contacts
- Halogen-free
- Degree of protection IP67 / IP68 / IP69K

Dimensions



Technical data

General specifications

| | |
|---------------------|-------------|
| Number of pins | 4 |
| Connection 1 | socket |
| Construction type 1 | right angle |
| Threading 1 | M12 |
| Connection 2 | cable end |
| UL File Number | E231213 |

Electrical specifications

| | | |
|--------------------|-------|------------------|
| Operating voltage | U_B | max. 250 V AC/DC |
| Operating current | | max. 4 A |
| Contact resistance | | < 10 m Ω |
| Inductance | | 0.55 mH / km |
| Capacitance | | 88.3 nF / km |

Ambient conditions

| | |
|---------------------|--|
| Ambient temperature | Body: -40 ... 90 °C (-40 ... 194 °F) cable, fixed: -40 ... 70 °C (-40 ... 158 °F) cable, flexing: -5 ... 70 °C (23 ... 158 °F) |
| Pollution Degree | 3 |

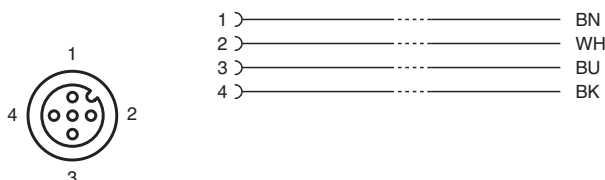
Mechanical specifications

| | |
|------------------------|--|
| Contact elements | spring-loaded contact socket |
| Pin diameter | 1 mm |
| Degree of protection | IP67 / IP68 / IP69k |
| Material | |
| Contacts | CuSn / Au |
| Contact surface | Au |
| Body | TPU, blue |
| Cable | PUR |
| Slotted nut | Diecast zinc |
| Core insulation | PVC |
| Cable | extra-fine wire, flexible |
| Sheath diameter | Ø4.8 mm |
| Bending radius | > 15 x cable diameter, induced > 10 x cable diameter, fixed |
| Color | blue |
| Cores | 4 x 0.34 mm ² |
| Conductor construction | 42 x 0.1 mm Ø |
| Length | L 25 m |
| Flammability | |
| Contact material | 94 HB |
| Housing | 94 V-2 |

Compliance with standards and directives

| | |
|----------------------|---------------|
| Standard conformity | |
| Degree of protection | EN 60529:2000 |

Electrical connection





| | |
|--------------|----------------------|
| Standards | IEC 61076-2-101:2008 |
| Flammability | Grip: UL 94 |

Release date: 2014-07-04 13:49 Date of issue: 2014-07-04 220473_eng.xml