



### Model Number

#### AIR20/PIR20 Weather Cap

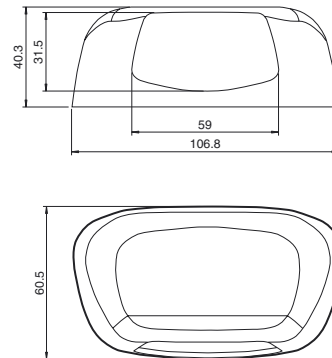
All-weather hood for AIR20 and PIR20 series sensors

### Features

- Protection from adverse effects of weather such as rain, snow, etc.
- Suitable for use in accordance with IP54
- Simple mounting
- Installation without tools

Color: black

### Dimensions



### Technical data

#### Mechanical specifications

|            |                               |
|------------|-------------------------------|
| Material   | black ABS                     |
| Mass       | approx. 8 g                   |
| Dimensions | 107 mm x 60 mm x 41 mm        |
| Mounting   | Mounting accessories included |

#### Suitable series

|        |             |
|--------|-------------|
| Series | AIR20 PIR20 |
|--------|-------------|