



**Model number**

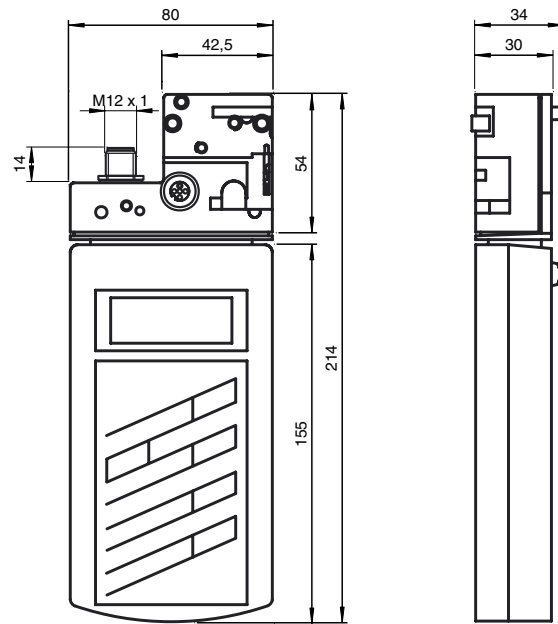
**VBP-HH1-V3.0-V1**

AS-Interface Handheld

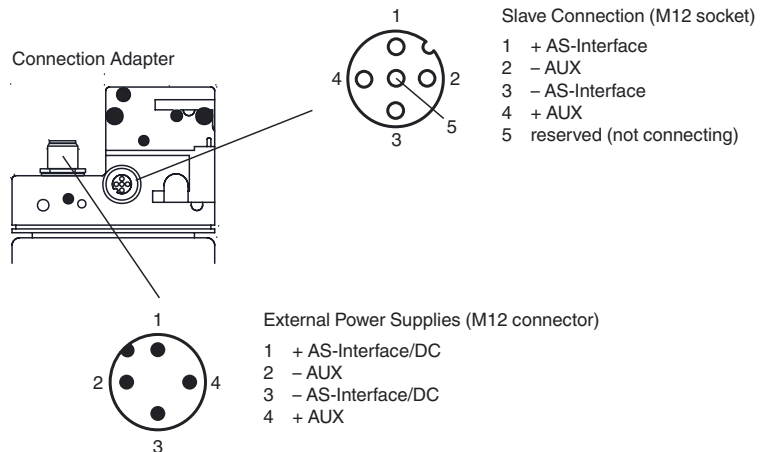
**Features**

- Addressing and programming AS-Interface slaves
- Displaying the assigned slave addresses and the status of the inputs
- Setting outputs at the AS-Interface slave
- Also supports profiles S-7.7.A.7 (Spec 3.0), S-0.B and S-7.B (AS Interface Safety at Work)
- The slave connection is short-circuit and overload proof
- Additional M12 plug for external power supply for AS-Interface and AUX
- Connecting cable included with delivery
- Battery charger included with delivery

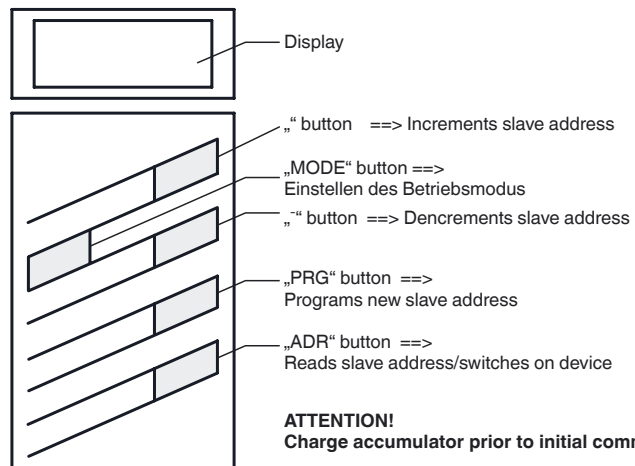
**Dimensions**



**Electrical connection**



**Indicating / Operating means**



Release date: 2013-06-05 15:03 Date of issue: 2014-01-13 22:1099\_eng.xml

Refer to "General Notes Relating to Pepperl+Fuchs Product Information".

Pepperl+Fuchs Group  
www.pepperl-fuchs.com

USA: +1 330 486 0001  
fa-info@us.pepperl-fuchs.com

Germany: +49 621 776 4411  
fa-info@de.pepperl-fuchs.com

Singapore: +65 6779 9091  
fa-info@sg.pepperl-fuchs.com

**Technical data****General specifications**

AS-Interface specification	V3.0
Operating mode	Plug-in charging unit, 230 V AC, included in the delivery package

**Indicators/operating means**

Display	LC display
Keyboard	membrane keys, 5 keys

**Electrical specifications**

Operating duration	8 h or $\geq$ 250 read/write procedures for fully charged battery
Power supply	battery mode, please use only battery charger included with delivery to charge (charging time about 14 h)

**Interface**

Interface type	AS-Interface, short-circuit and overload protected
Open loop voltage	28 V (internal power supply)
Load current	100 mA at 25 V (internal power supply)

**Interface 2**

Interface type	M12 connector for external power supply
Physical	AUX: 24 V PELV, 2 A (not short-circuit proof) AS-Interface: 31,6 V PELV (DC or AS-Interface), 200 mA (short-circuit proof)

**Ambient conditions**

Ambient temperature	0 ... 40 °C (32 ... 104 °F)
Storage temperature	-20 ... 40 °C (-4 ... 104 °F)

**Mechanical specifications**

Protection degree	IP20
Material	
Housing	plastic
Mass	approx. 610 g

**Compliance with standards and directives**

## Directive conformity

Low Voltage Directive 2006/95/EC	Plug-in charging unit EN 60950-1:2006+A14:2009
----------------------------------	--

EMC Directive 2004/108/EC	Handheld: EN 61326-1:2006 Plug-in charging unit EN 61000-3-2:2006 , EN 61000-3-3:1995+A1:2001+A2:2005 , EN 55022:1998+A1:2000+A2:2006 , EN 55024:1998+A1:2001+A2:2003
---------------------------	--

## Standard conformity

Noise immunity	Handheld: EN 61326-1:2006 Plug-in charging unit EN 61000-3-2:2006 , EN 61000-3-3:1995+A1:2001+A2:2005
Emitted interference	Handheld: EN 61326-1:2006 Plug-in charging unit EN 55022:1998+A1:2000+A2:2006 , EN 55024:1998+A1:2001+A2:2003

Protection degree	EN 60529:2000
-------------------	---------------

Electrical safety	Plug-in charging unit EN 60950-1:2006+A14:2009
-------------------	--

**Function**

The AS-Interface handheld VBP-HH1-V3.0-V1 is an addressing device according to AS-Interface specification 3.0.

This addressing device is used to program AS-Interface slaves and for function testing purposes.

In addition, the following new functionalities have been integrated:

- Permanent data interchange with AS-Interface slaves
- Support of the data interchange with 4E4A slaves in ext. addressing mode
- Display of the safety code for AS-Interface Safety at Work slaves

The AS-Interface connection adapter on the top of the addressing device is used for the connection of AS-Interface slaves (sensors, actuators and modules) to the addressing device. The following devices and models can be connected via a plug connection on the AS-Interface connection adapter to the addressing device:

devices with M12 plug, VariKont M system, VariKont system, FP model, AS-Interface module of models G1, G4, G16.

Please use the adapter cable VAZ-PK-1,5M-V1-G (included in the scope of delivery) for device models with integrated addressing jacks.

There is an additional M12 plug on the front side of the housing. It provides a connection possibility with external auxiliary voltage AUX for slaves, which expect this at the connection adapter. Due to the integrated decoupling coil it is also possible to connect DC- or AS-Interface voltage to energize the slave directly and to relieve the internal battery.

A connection cable for the extension is included in the scope of delivery.

**Accessories****VAZ-PK-1,5M-V1-G**

Adapter cable module/hand-held programming device

**V1S-TEE-V1/V1S**

T-Distributor, M12 connector to M12 socket/connector

**V1-W-2M-PVC**

Female cordset, M12, 4-pin, PVC cable

**VAZ-PK-FK-0,2M-V1-W**

Adapter cable G10 module/hand-held programming device

**VAZ-9VDC-CHRG-115VAC**

Power Supply

**VAZ-9VDC-CHRG-230VAC**

Power Supply