



Model Number

MLV41-8-H-500-RT-IO/65b/95/136

Background suppression sensor with 4-pin, M8 x 1 connector

Features

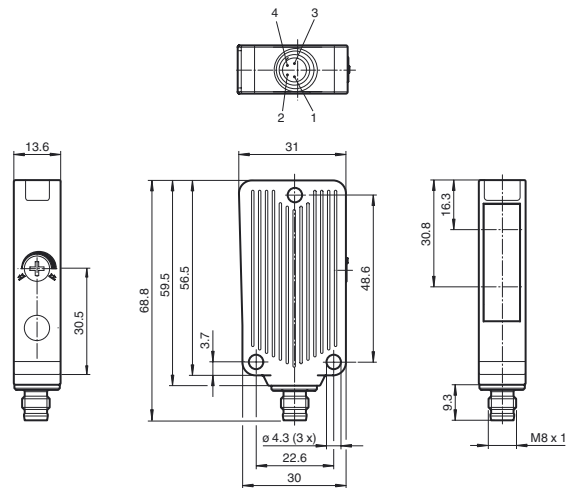
- Rugged series in corrosion-resistant metal housing
- MPT Multi Pixel Technology
- IO-link interface for service and process data
- Reliable detection of all surfaces, independent of color and structure
- Precision background suppression, adjustable
- Low sensitivity to target color
- Clear and functional display concept for the operating modes

Product information

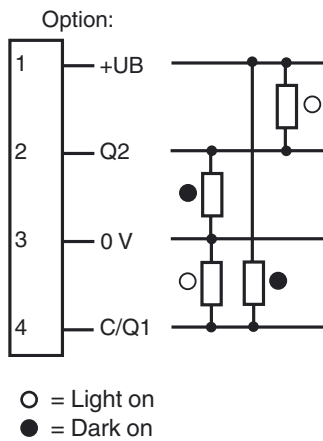
The diffuse mode sensor with MPT technology combines the benefits of the triangulation principle with the measuring functionality of a distance sensor. The integrated measuring principle provides an extremely wide range of switching element functions in one device, along with a large detection range and a small black/white difference up to the final detection range. The sensor is equipped with an IO-Link interface, through which the measuring principle is optimized to the requirements of the relevant application.

Release date: 2015-02-26 13:46 Date of issue: 2015-02-26 222770_eng.xml

Dimensions



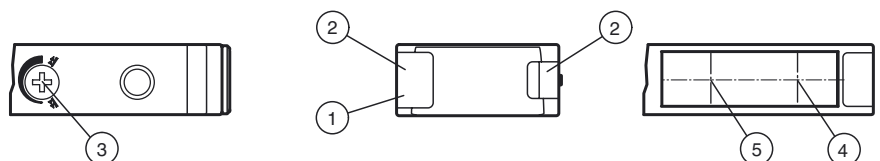
Electrical connection



Pinout



Indicators/operating means



1	Operating display green	3	Sensing range adjuster	5	Optical axis receiver
2	Function display yellow	4	Optical axis transmitter		

Technical data**General specifications**

Detection range	20 ... 500 mm Black-white difference < 5%
Adjustment range	40 ... 500 mm
Diagnosis range	20 ... 500 mm
Reference target	standard white, 100 mm x 100 mm
Light source	LED
Light type	modulated visible red light
Diameter of the light spot	approx. 25 mm at sensor range 500 mm
Angle of divergence	approx. 3 °
Ambient light limit	25000 Lux

Functional safety related parameters

MTTF _d	500 a
Mission Time (T _M)	20 a
Diagnostic Coverage (DC)	0 %

Indicators/operating means

Operation indicator	LED green, statically lit Power on , Undervoltage indicator: Green LED, pulsing (approx. 0.8 Hz) , short-circuit : LED green flashing (approx. 4 Hz)
Function indicator	2 LEDs yellow ON: object inside the scanning range OFF: object outside the scanning range
Control elements	Detection range adjuster
Parameterization indicator	IO link communication: green LED goes out briefly (1 Hz)

Electrical specifications

Operating voltage	U _B	10 ... 30 V DC , class 2
Ripple		max. 10 %
No-load supply current	I ₀	max. 25 mA at 24 V supply voltage

Interface

Interface type	IO-Link
Protocol	IO-Link V1.0
Mode	COM 2 (38.4 kBaud)

Output

Switching type	dark on	
Signal output	2 push-pull (4 in 1) outputs, short-circuit protected, reverse polarity protected	
Switching voltage	max. 30 V DC	
Switching current	max. 100 mA	
Voltage drop	U _d	≤ 2 V DC
Switching frequency	f	200 Hz
Response time		2.5 ms

Ambient conditions

Ambient temperature	-20 ... 60 °C (-4 ... 140 °F)
Storage temperature	-40 ... 75 °C (-40 ... 167 °F)

Mechanical specifications

Degree of protection	IP67
Connection	M8 x 1 connector, 4-pin
Material	
Housing	aluminum , Delta-Seal coated
Optical face	glass pane
Connector	metal
Mass	approx. 40 g

Compliance with standards and directives

Directive conformity	
EMC Directive 2004/108/EC	EN 60947-5-2:2007
Standard conformity	
Product standard	EN 60947-5-2:2007 IEC 60947-5-2:2007

Approvals and certificates

UL approval	cULus Listed 57M3 (Only in association with UL Class 2 power supply; Type 1 enclosure)
CCC approval	CCC approval / marking not required for products rated ≤36 V

Accessories**OMH-09**

Mounting bracket for Sensors series MLV41 for M12 rod mounting

OMH-40

Mounting bracket

OMH-41

Mounting bracket

V31-WM-2M-PUR

Female cordset, M8, 4-pin, PUR cable

V31-GM-2M-PUR

Female cordset, M8, 4-pin, PUR cable

IO-Link-Master02-USB

IO-Link master, supply via USB port or separate power supply, LED indicators, M12 plug for sensor connection

IODD Interpreter DTM

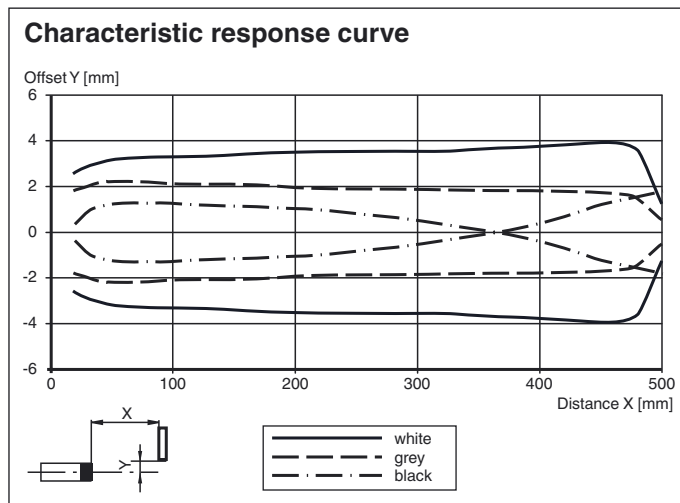
Software for the integration of IODDs in a frame application (e. g. PACTware)

MLV41-8 IODD

IODD for communication with MLV41-8-IO-Link sensors

Other suitable accessories can be found at www.pepperl-fuchs.com

Curves/Diagrams



Setting information

Detection range adjustment:

The detection range can be adjusted between 40 mm and 500 mm via the rotary switch or IO-Link. For finer adjustment, the adjustable detection range is divided into several subranges which can be selected using Page Up/Down.

The value set with IO-Link is always assigned the current rotary switch configuration.

Setting using the rotary switch:

Increasing the detection range:

Turn the potentiometer to the right. If the desired detection range is not reached, turn the potentiometer to the right until it stops (Page Up). The green LED will flash briefly. Now set the desired detection range again.

Reducing the detection range:

Turn the potentiometer to the left. If the desired detection range is not reached, turn the potentiometer to the left until it stops (Page Down). The green LED will flash briefly. Now set the desired detection range again.

Example application: manually reduce detection range from 450 mm to 60 mm:



The potentiometer has a position as shown here, but works with a 450 mm detection range.



Now turn the potentiometer completely to the left until it stops (Page Down). The green LED will flash briefly.



Now set the detection range to 60 mm. If the desired detection range cannot be set, turn the potentiometer again to the left until it stops (Page Down) and repeat the procedure.

Setting via IO-Link interface

Setting different operating modes via IO-Link interface

The devices have an IO-Link interface as standard for diagnostic and parameterization tasks enabling optimum adaptation of the sensors to the application. In addition, four different operating modes can be set:

Background suppression operating mode (1 or 2 switching points):

- Detection of objects irrespective of type and color in a defined sensing range. Objects in the background are reliably suppressed
- Background suppression with 2 switching points

active detection range



Background
suppression

Background evaluation operating mode:

- Detection of objects irrespective of type and color against a defined background. Reliable detection of objects at close range (detection range ≥ 0 mm). The background serves as reference

active detection range

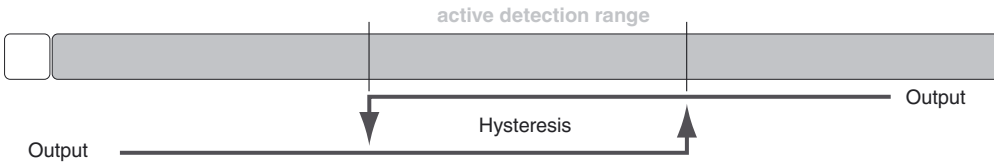
**Window operation operating mode:**

- Detection of objects irrespective of type and color in a defined sensing range. Reliable detection when leaving the defined sensing range.

active detection range

**Hysteresis operating mode:**

- Detection of objects irrespective of type and color between a defined switch-on and switch-off point



To use the diagnostic and parameterization options, you will find the compatible IODD, and if required, the FDT base application PACTware in the download area at www.pepperl-fuchs.com.