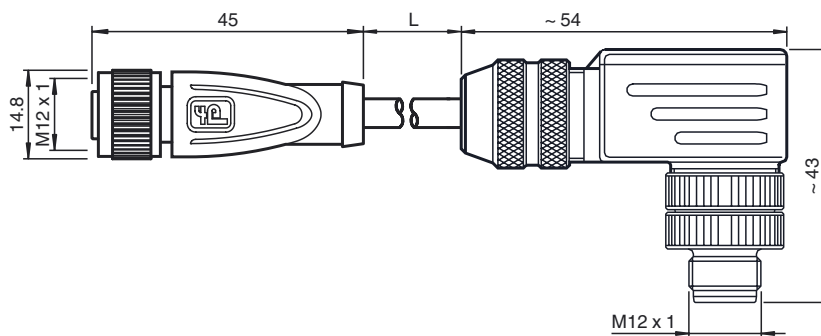


## Dimensions



## Model Number

### V1-G-2,5M-PUR-ABG-V15B-W

Adapter M12 x 1 A-coded to M12 x 1 B-coded, PUR cable 4-pin, shielded

## Features

- Knurled nut suitable for tool assembly
- Immunity to vibration, with mechanical latching
- Shield attached to coupling nut
- Gold-plated and machined contacts
- Halogen-free

## Technical data

### General specifications

Number of pins	4 + shield
Connection 1	female connector
Construction type 1	straight
Threading 1	M12
Connection 2	Male connector
Construction type 2	right angle
Threading 2	M12

### Electrical specifications

Operating voltage	$U_B$	max. 300 V DC
Test voltage		> 1500 V <sub>eff</sub> AC
Operating current		max. 4 A
Volume resistance		< 5 m $\Omega$

### Ambient conditions

Ambient temperature	cable, flexing: -25 ... 80 °C (-13 ... 176 °F) cable, fixed: -40 ... 80 °C (-40 ... 176 °F)
---------------------	--

Pollution Degree	3
------------------	---

### Mechanical specifications

Contact elements	spring-loaded contact socket
Pin diameter	1 mm
Protection degree	IP67
Material	
Contacts	CuSn / Au
Contact surface	Au
Body	TPU, green
Cable	PUR
Slotted nut	Diecast zinc
Sleeve connector	Diecast zinc
Core insulation	PP
Cable	fine-strand, flexible
Sheath diameter	Ø4.8 mm
Bending radius	> 10 x cable diameter, moving > 5 x cable diameter, fixed
Color	grey
Cores	4 x 0.34 mm <sup>2</sup>
Conductor construction	19 x 0.15 mm Ø
Shield	grid covering 85 %
Length	L 2.5 m
Flammability	
Contact material	94 HB
Housing	94 V-2

## Electrical connection

