



Model Number

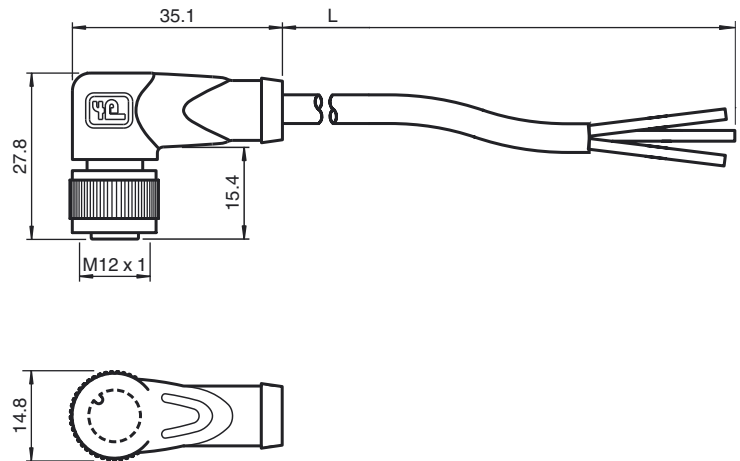
V1-W-E2-BK5M-PUR-U

Cable socket, M12, LED, 3-pin, PUR cable

Features

- UL Recognized Component
- Built-in LED, as operating and function indicator
- Knurled nut suitable for tool assembly
- Immunity to vibration, with mechanical latching
- Gold-plated and machined contacts
- Flame resistant cable
- Halogen-free
- Suitable for drag chains

Dimensions



Technical data

General specifications

Number of pins 3

Indicators/operating means

LED green Operating display
LED yellow Functional display NO contact

Electrical specifications

Operating voltage U_B max. 24 V DC \pm 15%
Operating current I_B max. 4 A
Contact resistance < 10 m Ω

Ambient conditions

Ambient temperature cable, fixed: -40 ... 80 °C (-40 ... 176 °F)
cable, flexing: -20 ... 80 °C (-4 ... 176 °F)

Pollution Degree 3

Mechanical specifications

Contact elements spring-loaded contact socket
Pin diameter 1 mm

Degree of protection IP67 / IP68 / IP69k

Material

Contacts CuSn / Au
Contact surface Au
Body TPU, transparent
Cable PUR
Slotted nut Diecast zinc
Core insulation PP

Cable extra-fine wire, flexible

Sheath diameter \varnothing 4.3 mm
Bending radius > 10 x cable diameter, moving
> 5 x cable diameter, fixed

Color black
Cores 4 x 0.34 mm²
Conductor construction 42 x 0.1 mm \varnothing
Length L 5 m

Drag chain suitability

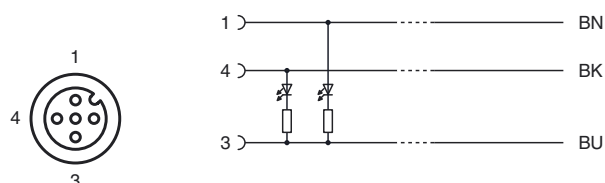
Drag chain cycles \geq 5000000
Motion velocity \leq 3.3 m/s
Acceleration \leq 5 m/s²
Torsional stress \pm 180 °/m

Flammability

Contact material 94 HB
Housing 94 V-2
Cable FT2

Compliance with standards and directives

Electrical connection





Standard conformity	
Degree of protection	EN 60529:2000
Standards	IEC 61076-2-101:2008
Approvals and certificates	
UL approval	cURus AWM 20549 AWM I/II A/B 80°C 300V FT2 (cable)

Release date: 2015-01-15 14:12 Date of issue: 2015-01-15 223062_eng.xml