



Model Number

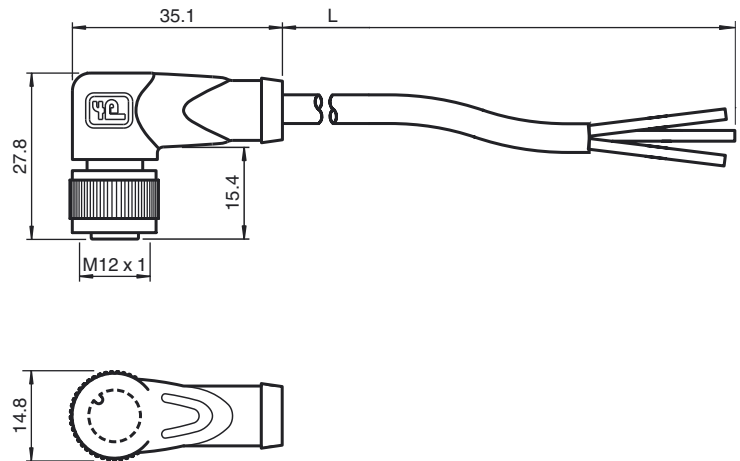
V1-W-E2-BK10M-PUR-U

Cable socket, M12, LED, 3-pin, PUR cable

Features

- UL Recognized Component
- Built-in LED, as operating and function indicator
- Knurled nut suitable for tool assembly
- Immunity to vibration, with mechanical latching
- Gold-plated and machined contacts
- Flame resistant cable
- Resistant to microbes and hydrolysis
- Halogen-free
- Suitable for 2- and 3-wire technology
- Suitable for drag chains

Dimensions



Technical data

General specifications

| | |
|----------------|---|
| Number of pins | 3 |
|----------------|---|

Indicators/operating means

| | |
|------------|-------------------------------|
| LED green | Operating display |
| LED yellow | Functional display NO contact |

Electrical specifications

| | | |
|-------------------|-------|------------------------|
| Operating voltage | U_B | max. 24 V DC \pm 15% |
| Operating current | I_B | max. 4 A |
| Volume resistance | | < 5 m Ω |

Ambient conditions

| | |
|---------------------|---|
| Ambient temperature | cable, fixed: -40 ... 80 °C (-40 ... 176 °F) cable, flexing: -20 ... 80 °C (-4 ... 176 °F) |
| Pollution Degree | 3 |

Mechanical specifications

| | |
|----------------------|------------------------------|
| Contact elements | spring-loaded contact socket |
| Pin diameter | 1 mm |
| Degree of protection | IP67 / IP68 / IP69k |

Material

| | |
|-----------------|------------------|
| Contacts | CuSn / Au |
| Contact surface | Au |
| Body | TPU, transparent |
| Cable | PUR |
| Slotted nut | Diecast zinc |
| Core insulation | PP |

Cable

| | |
|------------------------|--|
| Sheath diameter | \varnothing 4.3 mm |
| Bending radius | > 10 x cable diameter, moving > 5 x cable diameter, fixed |
| Color | black |
| Cores | 4 x 0.34 mm ² |
| Conductor construction | 42 x 0.1 mm \varnothing |
| Length | L 10 m |

Drag chain suitability

| | |
|-------------------|---------------------------|
| Drag chain cycles | \geq 5000000 |
| Motion velocity | \leq 3.3 m/s |
| Acceleration | \leq 5 m/s ² |
| Torsional stress | \pm 180 °/m |

Flammability

| | |
|------------------|--------|
| Contact material | 94 V-2 |
| Housing | 94 V-2 |
| Cable | FT2 |

Approvals and certificates

| | |
|-------------|--|
| UL approval | cURus AWM 20549 AWM I/II A/B 80°C 300V FT2 (cable) |
|-------------|--|

Electrical connection

