



Model Number

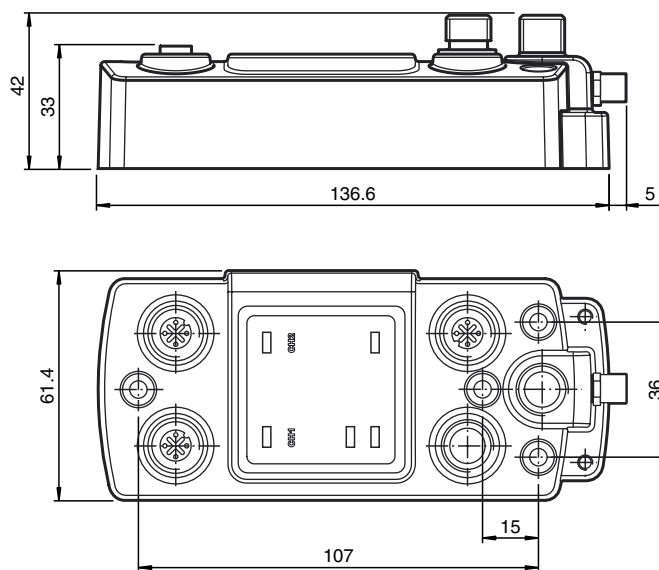
IC-KP2-2HB18-2V1

IDENTControl Compact control interface
With CC-Link V2 interface

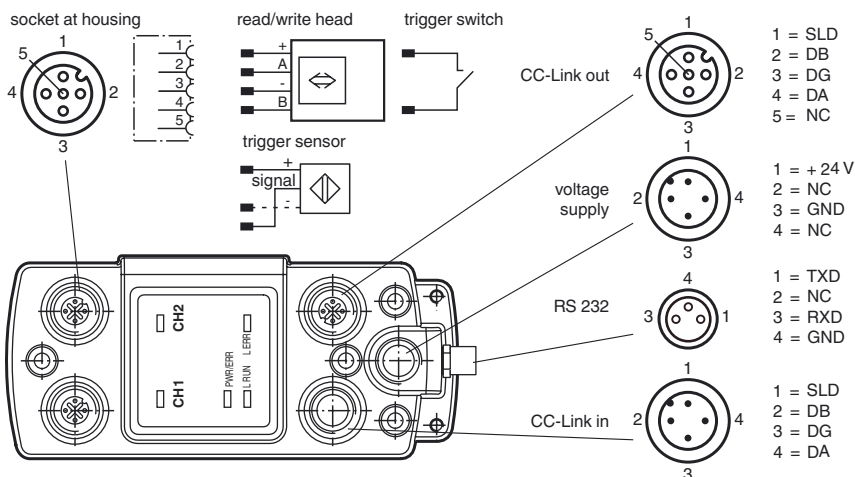
Features

- LED status indicator of bus communication and read/write heads
- Max. 2 read/write heads can be connected
- Alternatively 1 read/write head and 1 trigger sensor can be connected

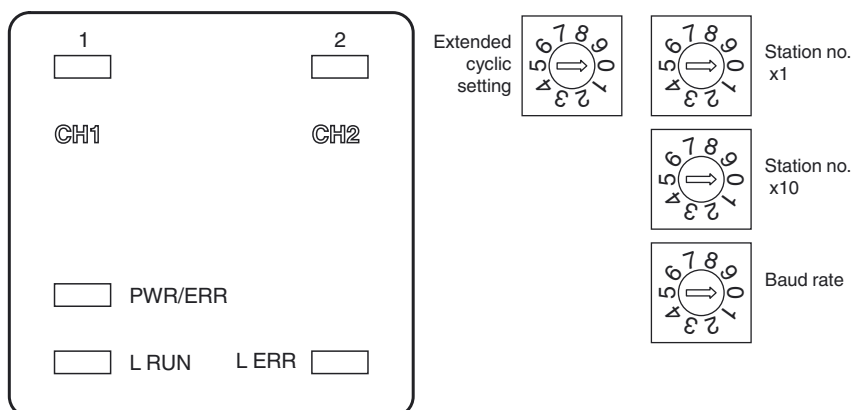
Dimensions



Electrical connection



Indicating / Operating means



Release date: 2015-03-26 12:23 Date of issue: 2015-04-02 223349_eng.xml

Technical data**General specifications**

Number of read/write heads	max. 2 alternatively 1 read/write head and 1 trigger sensor
UL File Number	E87056

Indicators/operating means

LEDs 1, 2	Status indicator for read/write heads green: command at read/write head active yellow: approx. 1 second long, if command was successfully executed
LEDs CH1, CH2	green: read head detected red: Configuration error
LED PWR/ERR	green: power on red: Hardware fault
LED L RUN	green: on, data communication active
LED L ERR	red: on, invalid rotary switch setting or data transfer failure red: flashing, rotary switch setting changed since last switched on
Rotary switch	Address setting 01 ... 64 (decimal) Station no.: 0 ... 6 (x10) Station no.: 0 ... 9 (x1) Baud rate setting: 0 ... 4 Extended cyclic setting: 0, 1, 2, 4, 8

Electrical specifications

Rated operating voltage	U_e	20 ... 30 V DC, PELV
Ripple		≤ 10 % at 30 V DC
Current consumption		≤ 4 A incl. read/write heads
Power consumption	P_0	3.5 W Without read/write heads
Electrical isolation		basic insulation acc. to DIN EN 50178, rated insulation voltage of 50 V_{eff}

Interface 1

Interface type	CC-Link
Physical	RS-485
Protocol	CC-Link
Transfer rate	156; 625 kBit/s 2,5;5;10 Mbit/s

Interface 2

Interface type	Diagnostic Interface
Physical	RS 232
Protocol	ASCII
Transfer rate	38.4 kBit/s

Ambient conditions

Ambient temperature	-25 ... 70 °C (-13 ... 158 °F)
Storage temperature	-40 ... 85 °C (-40 ... 185 °F)
Climatic conditions	air humidity max. 96 % Salt spray resistant to EN 60068-2-52
Shock and impact resistance	Oscillation (Sine): 5 g, 10 - 1000 Hz to EN 60068-2-6 Shock (Half-sine): 30 g, 11 ms in accordance with EN 60068-2-27

Mechanical specifications

Degree of protection	IP67
Connection	Read/write heads: shielded, 4-pin, M12 connector Power supply: M12 connector Protective earth: M4 earthing screw Diagnostic RS 232: M8 connector CC-Link: M12 connector, A-coded
Material	
Housing	Powder coated zinc
Installation	screw fixing
Mass	approx. 500 g

Compliance with standards and directives

Directive conformity	
EMC Directive 2004/108/EC	EN 61000-6-2:2006, EN 61000-6-4:2007
Standard conformity	
Degree of protection	IEC 60529:2001

Function

The RFID identification system **IDENTControl Compact** from Pepperl+Fuchs offers a vast number of benefits compared to other systems, thanks to its innovative design. The control interfaces **IDENTControl** and **IDENTControl Compact** make up the core of the system.

With its integrated interfaces to all commercially available fieldbus systems such as PROFIBUS, PROFINET, Ethernet, EtherCAT, CC-Link, serial connections (RS 232 or RS 485) and numerous connection options for read/write heads available for frequency ranges LF, HF and UHF, the **IDENTControl Compact** control interface can be easily and flexibly adapted to your requirements.

LEDs on the front of the housing indicate bus communication, connected read/write heads and active read/write commands. Reliability of the application is further increased by using trigger sensors.

The system is equally suited for use in control cabinets and field use in IP67. The interface to the higher-level fieldbus is integrated in the housing, and all connections are designed such that they are pluggable. This enables simple installation and quick, problem-free replacement in case of device failure. The consistent EMC design, with metal housing, grounding and shielded wires, offers a high degree of reliability.

Accessories**V1-G-5M-PUR-ABG-V1-W**

Connecting cable, M12 to M12, PUR cable 4-pin, shielded

V1-G-10M-PUR-ABG-V1-W

Connecting cable, M12 to M12, PUR cable 4-pin, shielded

ICZ-MH05-SACB-8

Mounting aid for DIN rail

V1-G-ABG-PG9

Female connector, M12, 4-pin, screened, field attachable

V1S-G-ABG-PG9

4-pin, M12, screened cable connector, field attachable

ICZ-3T-0,3M-PVC-CCL-V1-G

Y connection cable for CC-Link

V3S-GM-0,15M-PUR-ABG-SUBD

Adapter M8 on Sub-D for PC connection with null modem cable

ICZ-TR-V1-130R

Terminal resistor for CC-Link

ICZ-TR-V1-110R

Terminal resistor for CC-Link