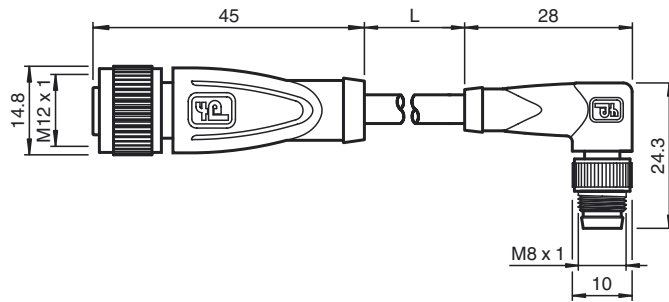


Dimensions



Model Number

V1-G-1M-PUR-V31-WM
 Connection cable, M12 to M8, PUR cable, 4-pin

Features

- Knurled nut suitable for tool assembly
- Immunity to vibration, with mechanical latching
- Gold-plated and machined contacts
- Resistant to microbes and hydrolysis
- Halogen-free

Technical data

General specifications

Number of pins	4
Connection 1	female connector
Construction type 1	straight
Threading 1	M12
Connection 2	Male connector
Construction type 2	right angle
Threading 2	M8

Electrical specifications

Operating voltage	U_B	max. 30 V DC
Test voltage		> 1500 V _{eff} AC
Operating current		max. 3 A
Volume resistance		< 5 mΩ

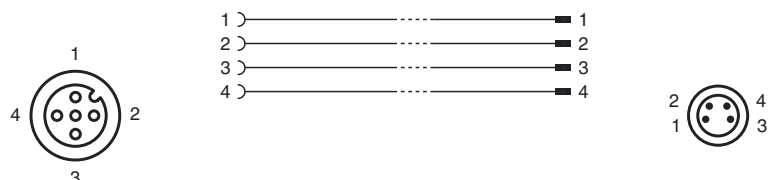
Ambient conditions

Ambient temperature	-40 ... 90 °C (-40 ... 194 °F) cable, fixed: -40 ... 80 °C (-40 ... 176 °F) cable, flexing: -20 ... 80 °C (-4 ... 176 °F)
Pollution Degree	3

Mechanical specifications

Contact elements	spring-loaded contact socket
Pin diameter	1 mm
Protection degree	IP67
Material	
Contacts	CuSn / Au
Contact surface	Au
Body	TPU, green
Cable	PUR
Slotted nut	Diecast zinc
Sleeve connector	Diecast zinc
Core insulation	PP
Cable	fine-strand, flexible
Sheath diameter	Ø 4.3 mm
Bending radius	> 15 x cable diameter, induced > 8 x cable diameter, fixed
Color	grey
Cores	4 x 0.25 mm ²
Conductor construction	14 x 0.15 mm Ø
Length	L 1 m
Flammability	
Contact material	94 HB
Housing	94 V-2

Electrical connection



Release date: 2012-01-18 10:26 Date of issue: 2012-01-18 223527_eng.xml

Subject to modifications without notice

Pepperl+Fuchs Group
 www.pepperl-fuchs.com

USA: +1 330 486 0001
 fa-info@us.pepperl-fuchs.com

Germany: +49 621 776-4411
 fa-info@pepperl-fuchs.com

Copyright Pepperl+Fuchs
 Singapore: +65 6779 9091
 fa-info@sg.pepperl-fuchs.com