**Model Number****IQH2-18GM-V1**

HF read/write head, ISO 14443, for IDENTControl

**Features**

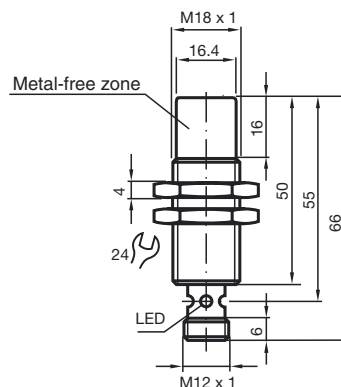
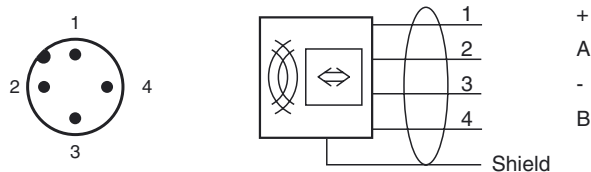
- Operating frequency 13.56 MHz
- Complies with ISO 14443
- Read/write head with thread M18 x 1
- Connection via V1 (M12 x 1) plug connection
- Multihole-LED for function display
- Degree of protection IP67

**Accessories****V1-G-5M-PUR-ABG-V1-W**

Connecting cable, M12 to M12, PUR cable 4-pin, shielded

**V1-G-10M-PUR-ABG-V1-W**

Connecting cable, M12 to M12, PUR cable 4-pin, shielded

**Dimensions****Electrical connection****Technical data****General specifications**

Operating frequency	13.56 MHz
Transfer rate	106 kBit/s
Sensing range	
Read distance	0 ... 22 mm
Write distance	0 ... 22 mm
Width	max. 40 mm

**Indicators/operating means**

LED green/yellow	Multihole-LED: green: power on green flashing: read/write attempt performed yellow: data carrier detected
------------------	--

**Electrical specifications**

Power consumption	$P_0$	$\leq 1.3$ W
Supply	from the IDENTControl	

**Ambient conditions**

Ambient temperature	-25 ... 70 °C (-13 ... 158 °F)
Storage temperature	-40 ... 85 °C (-40 ... 185 °F)

**Mechanical specifications**

Degree of protection	IP67
Connection	M12 x 1 connector
Material	
Housing	PBT/stainless steel
Encapsulation compound	CY 221/HY 2966
Installation	non-flush
Distance between two heads	Multiplex on: $\geq 30$ mm Multiplex off: $\geq 80$ mm
Mass	approx. 40 g

**Compliance with standards and directives**

Directive conformity	
R&TTE Directive 1995/5/EC	EN 301489-1 V1.8.1 (2008-04), EN 301489-3 V1.4.1 (2002-08), EN 300330-2 V1.3.1 (2006-04), EN 60950-1:2006
Standard conformity	
Degree of protection	EN 60529:2000
RFID	ISO/IEC 14443-2:2010, ISO/IEC 14443-3:2001