

### Model Number

**IQH1-30GM105-EXD dS64M-1038**

HF read/write head, ISO 15693, for IDENTControl, for hazardous areas

### Features

- Read/write head with thread M30 x 1.5
- Flameproof enclosure
- ATEX-approval for zone 1 and zone 21
- Degree of protection IP68
- 15 m connection cable

### Accessories

**IQC21-50PVC**

Data carrier

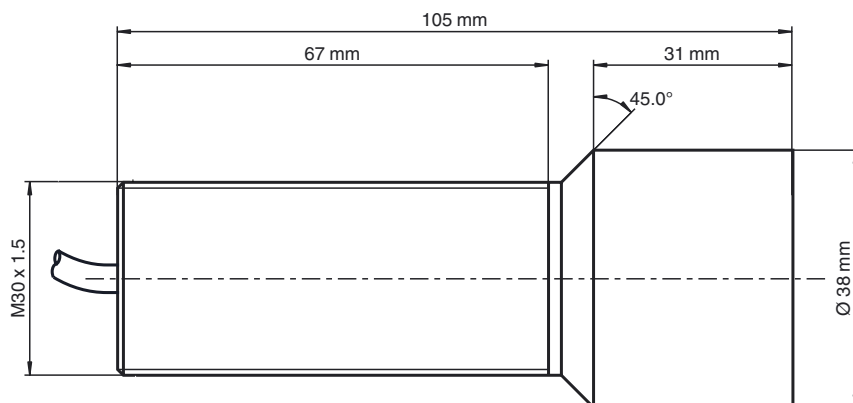
**IQC21-F125**

Data carrier

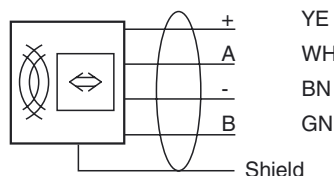
**IQC33-20CT**

Data carrier

### Dimensions



### Connection



### Technical Data

#### General specifications

Operating frequency	13.56 MHz
Transfer rate	26 kBit/s
Operating distance	maximum: 9 mm
UL File Number	E87056

#### Functional safety related parameters

MTTF <sub>d</sub>	640 a
Mission Time (T <sub>M</sub> )	10 a
Diagnostic Coverage (DC)	0 %

#### Electrical specifications

Power consumption	P <sub>0</sub>	≤ 1.8 W
Type of protection	II 2G EEx d IIC T6/T5 II 2D EEx tD A21 IP68 T80°C/95°C	
Supply	from the IDENTControl	

#### Ambient conditions

Ambient temperature	-20 ... 50 °C (-4 ... 122 °F)
Storage temperature	-20 ... 50 °C (-4 ... 122 °F)

#### Mechanical specifications

Degree of protection	IP68
Connection	15 m connecting cable included with delivery Connection e.g. with terminal boxes Series GL5

#### Material

Housing	Stainless steel 1.4404 / AISI 316L
---------	------------------------------------

#### Installation

Distance between two heads	Multiplex on: ≥ 155 mm Multiplex off: ≥ 350 mm
----------------------------	---

#### Mass

Mass	approx. 2000 g
------	----------------

#### Compliance with standards and directives

Directive conformity		
ATEX Directive 94/9/EC	EN 60079-0:2006, EN 60079-1:2004, EN 61241-0:2006, EN 61241-1:2004	
R&TTE Directive 1995/5/EC	EN 301489-1:2008, EN 301489-3:2002, EN 300330-2:2006, EN 60950-1:2006	
Standard conformity		
Electromagnetic compatibility	EN 61326-1:2006	
Degree of protection	EN 60529:2000	
Standards	EN 60079-0:2009, EN 60079-1:2007, EN 61241-0:2007, EN 61241-1:2005, EN 60950-1:2006	

**ATEX 2G**

Instruction

**Manual electrical apparatus for hazardous areas****Device category 2G**

EC-Type Examination Certificate

CE marking

for use in hazardous areas with gas, vapour and mist

PTB 03 ATEX 1130

C E 0044

ATEX marking

⊕ II 2G Ex d IIC T6/T5

Directive conformity

94/9/EG

Standards

EN 60079-0:2006, EN 60079-1:2004, EN 61241-0:2006, EN 61241-1:2004

Flameproof enclosure ignition protection class

Use is restricted to the following stated conditions

Appropriate type

dS64 M-1038

General

The apparatus has to be operated according to the appropriate data in the data sheet and in this instruction manual. The EC-Type Examination Certificate has to be observed. The special conditions must be adhered to!

Directive 94/9/EG and hence also EC-Type Examination Certificates apply in general only to the use of electrical apparatus under atmospheric conditions.

If the equipment is not used under atmospheric conditions, a reduction of the permissible minimum ignition energies may have to be taken into consideration.

Ambient temperature

The temperature ranges, according to temperature class, are given in the EC-Type Examination Certificate.

Installation, commissioning

Laws and/or regulations and standards governing the use or intended usage goal must be observed. The connection cable on the compact device, controller, and control unit must be securely fastened and sufficiently protected from mechanical damage. Select a connection cable that is able to meet the thermal requirements of the relevant area of application. Equipotential bonding and grounding is guaranteed by connecting the compact device, controller, and control unit to the overall installation.

Maintenance

No changes can be made to apparatus, which are operated in hazardous areas.

Repairs to these apparatus are not possible.

**Special conditions**

none

**ATEX 2D**

Instruction

**Manual electrical apparatus for hazardous areas****Device category 2D**

EC-Type Examination Certificate

for use in hazardous areas with combustible dust

CE marking

PTB 03 ATEX 1130

CE 0044

ATEX marking

Ⓔ II 2D Ex tD A21 IP68 T 80°C/95°C

Directive conformity

94/9/EG

Standards

EN 60079-0:2006, EN 60079-1:2004, EN 61241-0:2006, EN 61241-1:2004

Flameproof enclosure ignition protection class

Use is restricted to the following stated conditions

Appropriate type

dS64 M-1038

General

The apparatus has to be operated according to the appropriate data in the data sheet and in this instruction manual. The EC-Type Examination Certificate has to be observed. The special conditions must be adhered to!

Directive 94/9/EG and hence also EC-Type Examination Certificates apply in general only to the use of electrical apparatus under atmospheric conditions.

If the equipment is not used under atmospheric conditions, a reduction of the permissible minimum ignition energies may have to be taken into consideration.

Ambient temperature

The temperature ranges, according to temperature class, are given in the EC-Type Examination Certificate.

Installation, commissioning

Laws and/or regulations and standards governing the use or intended usage goal must be observed. The connection cable on the compact device, controller, and control unit must be securely fastened and sufficiently protected from mechanical damage. Select a connection cable that is able to meet the thermal requirements of the relevant area of application. Equipotential bonding and grounding is guaranteed by connecting the compact device, controller, and control unit to the overall installation.

Maintenance

No modifications must be undertaken on apparatus, which is operated in hazardous areas. Repairs to such apparatus are not permissible.

**Special conditions**

none