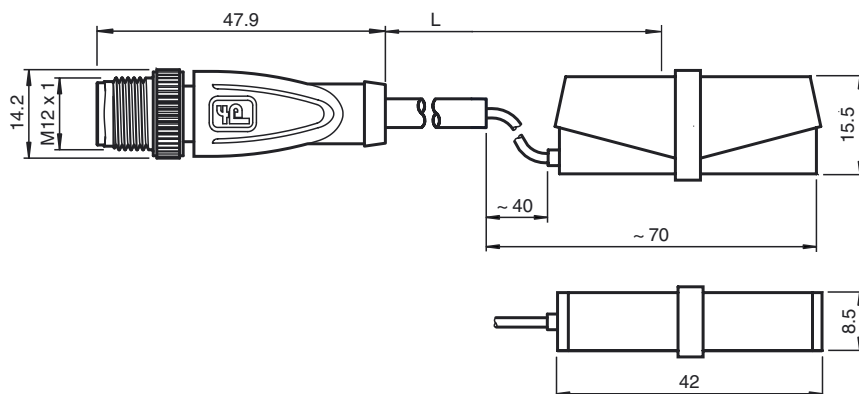


Model Number**V15S-G-0,3M-PUR-WAGO**

Male cordset, M12, 5-pin, PUR cable with WAGO terminals

Features

- Immunity to vibration, with mechanical latching
- Knurled nut suitable for tool assembly
- Gold-plated and machined contacts
- Halogen-free

Dimensions**Technical data****General specifications**

Number of pins 5

Electrical specifications

Operating voltage U_B max. 60 V DC
 Test voltage $> 1500 V_{eff AC}$
 Operating current I_B max. 4 A
 Volume resistance $< 5 m\Omega$

Ambient conditions

Ambient temperature -40 ... 90 °C (-40 ... 194 °F)
 cable, fixed: -40 ... 80 °C (-40 ... 176 °F)
 cable, flexing: -20 ... 80 °C (-4 ... 176 °F)

Pollution Degree 3

Mechanical specifications

Pin diameter 1 mm
 Degree of protection IP20
 Connection WAGO terminal
 Material
 Contacts CuSn / Au
 Contact surface Au
 Body TPU, green
 Cable PUR
 Sleeve connector Diecast zinc
 Core insulation PP
 Cable
 Sheath diameter $\varnothing 4.8$ mm
 Bending radius $> 10 \times$ cable diameter, moving
 Color grey
 Cores 5×0.34 mm²
 Conductor construction 19×0.15 mm \varnothing
 Length L 0.3 m
 Flammability
 Contact material 94 HB
 Housing 94 V-2

Electrical connection